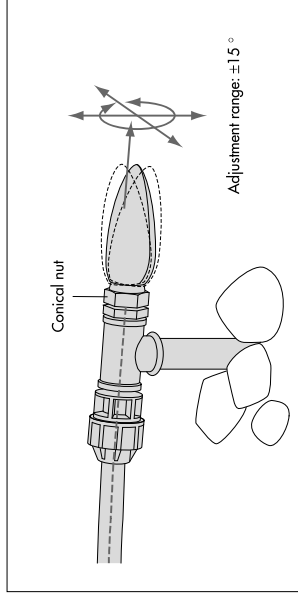


Mounting instructions Bubble pot EPS 50

- Release the conical nut slightly and adjust the bubble pot horizontally (both axis) and with the direction of the flow.
- Tighten the conical nut again.



Picture 4: Adjust bubble pot
max. tolerance of adjustment
is +/- 5°!

Maintenance

- Regularly check the bubble pot – at least once a year – if there is any debris and if it is still correctly aligned. If there are lots of particles or weeds in the water you have to check more frequently.
- For cleaning you have to remove the three Phillips screws and the base plate at the bottom of the bubble pot. For this the bubble pot can, but must not necessarily be detached. Perhaps you have to slightly release the conical nut and to turn the basin by 180°. After cleaning the bubble pot has to be adjusted again to the direction of the flow. Attention: the bubble in pressure must be built up again; see user instruction for Nimbus!

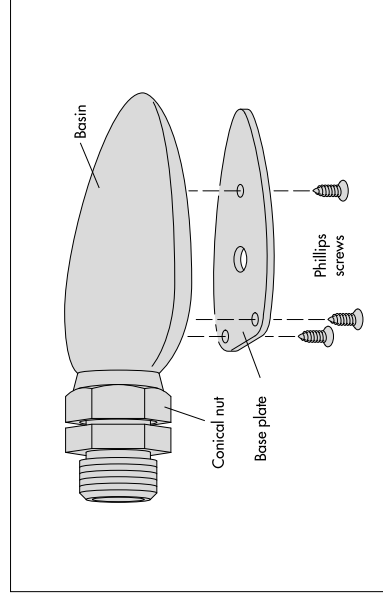
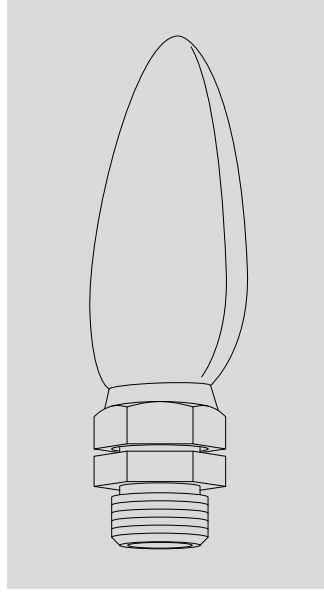


Abb. 5: Cleaning of bubble pot
If the bubble pot is completely detached for
cleaning the bubble tube must be cut by 1
cm before it is connected again.



OTT Hydromet GmbH

P.O. Box 2140 · 87411 Kempten
Ludwigstrasse 16 · 87437 Kempten
Phone++49 831 5617-0
Fax++49 831 5617-209
E-mail: info@ott.com
Internet: <http://www.ott.com>

Installation of the bubble pot

The EPS 50 bubble pot is designated for the bubble-in sensor "Nimbus". It replaces the old bubble pot for surface waters.

The EPS 50 bubble pot has a 1" T-piece which is suitable for all kinds of fixing possibilities. With 1" standard parts for plumbing it can be fixed to consolidated and natural banks as well as to vertical walls.

The bubble pot has to be installed in the direction of the flow!

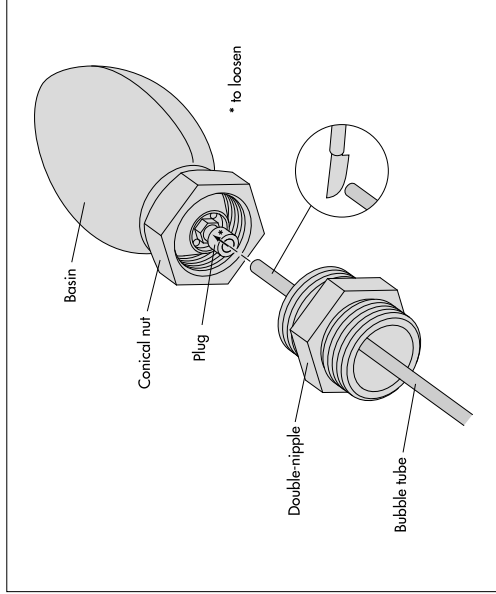


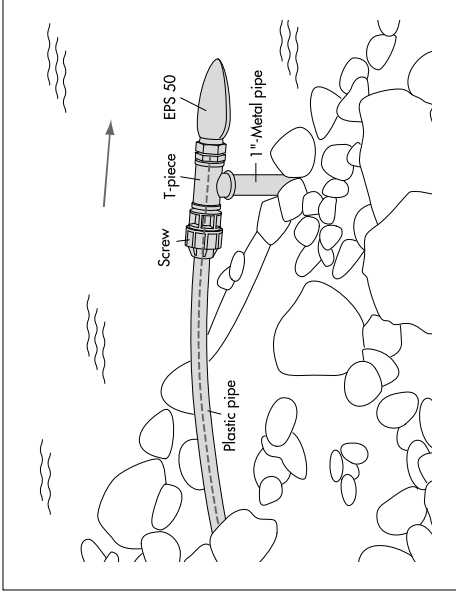
Fig. 1: install the bubble pot.

- Lead the bubble tube through a conduit (metal or plastic) to the place where the bubble pot has to be installed; see picture 2 and 3
- Cut the bubble tube rightangled with a sharp blade (e.g. scalpel); see picture 1. Do not use scissors.
- Put the tube as far as possible into the plug. The plug is designed in a way that the basin can be turned without distortion of the tube. To disconnect the tube push the plug towards the conical nut and pull out the tube. Cut the tube by approx. 1 cm before connecting it again.
- Screw the double-nipple (SW 41) on the pre-installed T-piece.
- Screw the conical nut (SW 41) of the bubble pot on the double-nipple.

Example of application: installation at embankment

Picture 2 shows a possibility to fix the bubble pot to consolidated or natural embankments. The actual fixing is made by a 1" metal pipe (waterpipe) which is digged / rammed into the ground or is embedded by concrete.

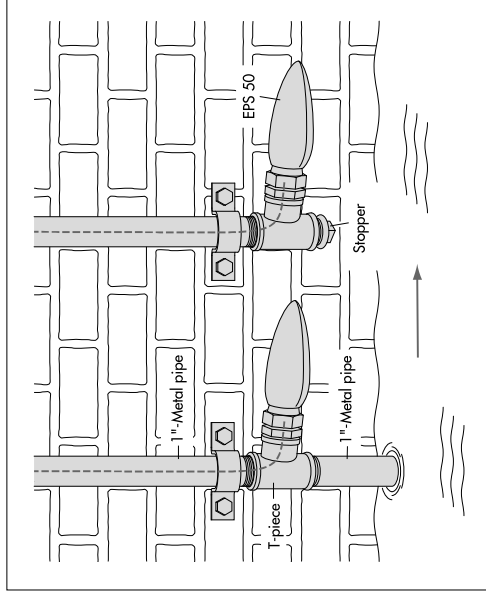
Picture 2: Fix bubble pot EPS 50 to the embankment of a water. The picture shows a low waterlevel. Actually the bubble pot must be completely under water.



Example of application: Wall-mounting

Picture 3 shows two possibilities how the bubble pot can be fixed to a wall (jetty-wall, sheet piling...) Note that the bubble pot must be fixed stable enough that it does not vibrate even at high velocities of flow. For this purpose, as it is shown in the left drawing, the metal pipe can be put into the bottom of the water to increase the stability. If this is not necessary the open end of the T-piece must be closed by a stopper (included in the delivery).

Picture 3: Fix bubble pot EPS 50 to a vertical wall. The picture shows a low waterlevel. Actually the bubble pot must be completely under water.



Adjust bubble pot to the direction of flow

To ensure a correct functioning of the bubble pot it is important to adjust it exactly horizontal and in the direction of flow (max. tolerance +/- 5°). For this purpose the basin has a ball-and socket joint which allows for adjustments by +/- 15° in every direction.