

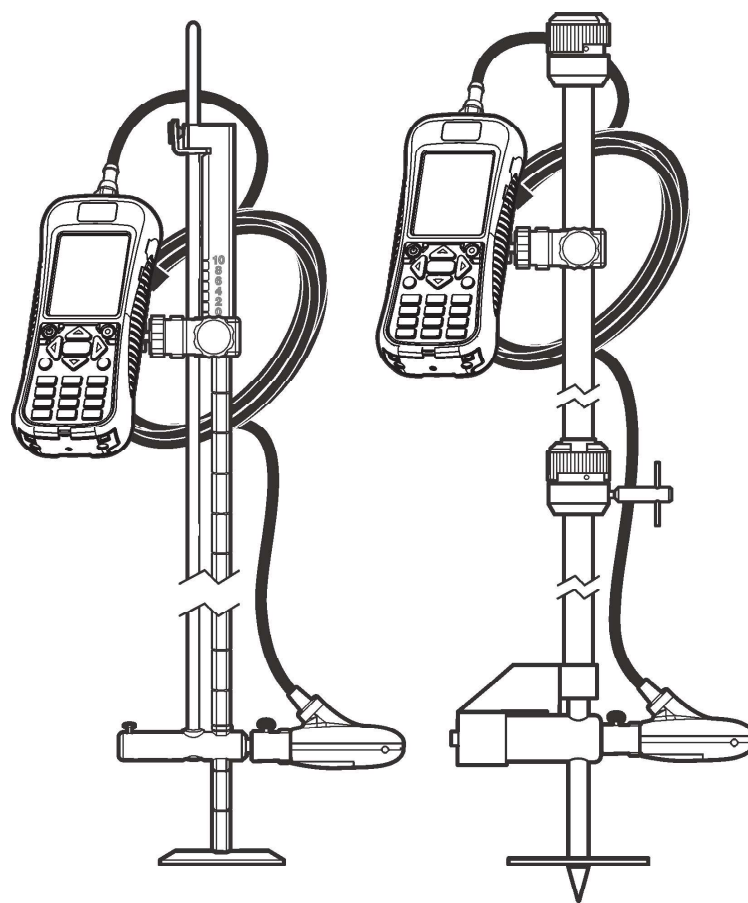


DOC026.53.80211

# MF pro

09/2018, Edition 7

Operating Instructions





<b>Specifications</b> .....	3
Sensor specifications .....	3
Portable meter specifications .....	3
User interface specifications .....	4
General specifications .....	4
<b>General information</b> .....	5
Safety information .....	5
Use of hazard information .....	5
Precautionary labels .....	5
Certification .....	6
Product overview .....	6
System overview .....	6
Sensor overview .....	7
Meter overview .....	8
Product components .....	9
<b>Installation</b> .....	9
Installation with optional accessories .....	9
Install the sensor on the universal sensor mount .....	9
Lithium battery safety .....	10
Install the battery .....	10
Charge the battery .....	11
Connect the sensor to the meter .....	12
Attach the lanyard .....	12
Attach the velcro strap .....	13
<b>User interface and navigation</b> .....	13
Keypad and key functions .....	13
Status bar .....	14
Navigation and Main Menu .....	15
<b>Startup and self-test</b> .....	19
Sleep mode .....	19
<b>Operation</b> .....	20
Stream profiles .....	20
Stations and station spacing .....	20
Measure velocity .....	20
Measure velocities in a cross-section .....	21
Insert or delete a station .....	24
Conduit profiles .....	24
0.9 x Vmax measurement method .....	24
0.2/0.4/0.8 method .....	25
Velocity/Level Integration measurement method .....	25
2D measurement method .....	26
Download data .....	27
Delete data files .....	27
<b>Maintenance</b> .....	27
Download the PVM utility .....	27

## Table of Contents

---

Update the firmware .....	28
Clean the sensor .....	28
Clean the meter .....	29
Replace the battery .....	29
<b>Troubleshooting</b> .....	29
Diagnostics .....	29
Troubleshoot errors .....	30
<b>Replacement parts and accessories</b> .....	30
<b>Appendix</b> .....	31
Mean-section and Mid-section methods .....	31
Profiles and measurements .....	33
Site selection .....	34
Do a velocity calibration .....	34
Wet/Dry threshold .....	34

## Specifications

Specifications are subject to change without notice.

### Sensor specifications

Specification	Details
<b>Velocity measurement</b>	
Method	Electromagnetic
Range	0 to 6.09 m/s (0 to 20 ft/s)
Minimum water depth	3.18 cm (1.25 in.)
Accuracy	±2% of reading ±0.015 m/s (±0.05 ft/s) 0 to 3.04 m/s (0 to 10 ft/s); ± 4% of reading from 3.04 to 4.87 m/s (10 to 16 ft/s)
Resolution	0 ≤ value < 10: 3 decimal places; 10 ≤ value < 100: 2 decimal places; 100 ≤ value < 1000: 1 decimal place; value ≥ 1000: 0 decimal places
Zero stability	±0.015 m/s (±0.05 ft/s)
Material	ABS, glass filled
Enclosure rating	IP68
Dimensions (L x W x H)	11.9 x 4.3 x 6.3 cm (4.7 x 1.7 x 2.5 in.)
Cable material	Polyurethane jacketed
Cable lengths	2, 6.1, 12.2 and 30.5 m (6.5, 20, 40 and 100 ft)
<b>Depth measurement</b>	
Method	Diaphragm type: absolute pressure with single point calibration
Accuracy (static)	The larger of ± 2% of reading or ± 0.015 m (± 0.504 inches). Steady state temperature and static non-flowing water.
Range	3.05 m (0-10 ft)
Resolution	0 ≤ value < 10: 3 decimal places; 10 ≤ value < 100: 2 decimal places; 100 ≤ value < 1000: 1 decimal place; value ≥ 1000: 0 decimal places

### Portable meter specifications

Specification	Details
Pollution degree	2
Protection class	II
Charging temperature	0 to 40 °C (32 to 104 °F)
Operating temperature	-20 to 55 °C (-4 to 131 °F)
Storage temperature	-20 to 60 °C (-4 to 140 °F )
Enclosure rating	IP67
Battery life gauge	Five-segment bar graph
Battery type	Rechargeable lithium ion, 3.6 V, 5.0 Ah, 18 Wh

Specification	Details
Battery life	18 hours heavy typical day use <sup>1</sup> ; 20 °C (68 °F)
Battery charger	External power adapter, energy efficiency VI, 100–240 VAC, 50–60 Hz, 0.5 A input; 12 VDC, 1.25 A output
Dimensions (L x W x H)	21.8 x 9.3 x 5.3 cm (8.6 x 3.7 x 2.1 in.)
USB connector	Type Mini-B, 5-pin, rated to IP67 when capped
Material	Polycarbonate with a thermoplastic elastomer (TPE) overmold

## User interface specifications

Specification	Details
Graphics display	Color, LCD 3.5" QVGA transfective (readable in direct sunlight)
Measurement resolution	0 ≤ value < 10: 3 decimal places; 10 ≤ value < 100: 2 decimal places; 100 ≤ value < 1000: 1 decimal place; value ≥ 1000: 0 decimal places
Keypad	Alpha-numeric
Operating modes	Real time, profiling
Profile types	Stream, conduit
Conduit shapes	Circular, rectangular, trapezoidal, 2/3 egg, inverted 2/3 egg
Stream entries	Fixed, non-fixed stations
Noise rejection	User-selectable, 50 Hz or 60 Hz
Units of measure	Velocity: ft/s, m/s, cm/s, mm/s
	Flow: ft <sup>3</sup> /sec, million gal/day, gal/day, gal/min, m <sup>3</sup> /s, m <sup>3</sup> /min, m <sup>3</sup> /hour, m <sup>3</sup> /day, liters/s, liters/min
	Depth: in., ft, m, cm, mm
Stream flow calculation	Mean-section or mid-section method
Diagnostics	Self test, keypad, display, event log
Conduit profiling methods	0.9 x Vmax, 0.2/0.4/0.8, velocity and level integrator, 2D
Stream profiling methods	1, 2, 3, 4, 5 and 6 point (velocity method - USGS and ISO), 2 point KREPS method, 1 point surface method, 1 and 2 point ice method
File types	Real-time, profiling, event log
Languages	English, French, Spanish, German, Italian, Dutch, Danish, Swedish, Chinese, Polish, Japanese, Korean, Portuguese, Slovak, Russian, Hungarian, Bulgarian, Romanian, Czech, Turkish, Finnish, Greek

## General specifications

Specification	Details
Maximum number of real-time files	50 each with up to 75 readings captured by the user.
Firmware	The sensor and portable meter are field upgradeable via USB

<sup>1</sup> Defined as 30 minutes of set up, six 1-hour periods of continuous use with an active sensor and the display at maximum brightness and 30 minutes of sleep mode between use periods, data download and power off.

## General information

In no event will the manufacturer be liable for direct, indirect, special, incidental or consequential damages resulting from any defect or omission in this manual. The manufacturer reserves the right to make changes in this manual and the products it describes at any time, without notice or obligation. Revised editions are found on the manufacturer's website.

## Safety information

### NOTICE

The manufacturer is not responsible for any damages due to misapplication or misuse of this product including, without limitation, direct, incidental and consequential damages, and disclaims such damages to the full extent permitted under applicable law. The user is solely responsible to identify critical application risks and install appropriate mechanisms to protect processes during a possible equipment malfunction.

Please read this entire manual before unpacking, setting up or operating this equipment. Pay attention to all danger and caution statements. Failure to do so could result in serious injury to the operator or damage to the equipment.

Make sure that the protection provided by this equipment is not impaired. Do not use or install this equipment in any manner other than that specified in this manual.

### Use of hazard information

#### ⚠ DANGER

Indicates a potentially or imminently hazardous situation which, if not avoided, will result in death or serious injury.

#### ⚠ WARNING

Indicates a potentially or imminently hazardous situation which, if not avoided, could result in death or serious injury.

#### ⚠ CAUTION




Indicates a potentially hazardous situation that may result in minor or moderate injury.

### NOTICE

Indicates a situation which, if not avoided, may cause damage to the instrument. Information that requires special emphasis.

### Precautionary labels

Read all labels and tags attached to the instrument. Personal injury or damage to the instrument could occur if not observed. A symbol on the instrument is referenced in the manual with a precautionary statement.

	<p>This is the safety alert symbol. Obey all safety messages that follow this symbol to avoid potential injury. If on the instrument, refer to the instruction manual for operation or safety information.</p>
	<p>This symbol indicates the presence of devices sensitive to Electro-static Discharge (ESD) and indicates that care must be taken to prevent damage with the equipment.</p>
	<p>Electrical equipment marked with this symbol may not be disposed of in European domestic or public disposal systems. Return old or end-of-life equipment to the manufacturer for disposal at no charge to the user.</p>

## Certification

### ⚠ CAUTION

This equipment is not intended for use in residential environments and may not provide adequate protection to radio reception in such environments.

#### **Canadian Radio Interference-Causing Equipment Regulation, IECS-003, Class A:**

Supporting test records reside with the manufacturer.

This Class A digital apparatus meets all requirements of the Canadian Interference-Causing Equipment Regulations.

Cet appareil numérique de classe A répond à toutes les exigences de la réglementation canadienne sur les équipements provoquant des interférences.

#### **FCC Part 15, Class "A" Limits**

Supporting test records reside with the manufacturer. The device complies with Part 15 of the FCC Rules. Operation is subject to the following conditions:

1. The equipment may not cause harmful interference.
2. The equipment must accept any interference received, including interference that may cause undesired operation.

Changes or modifications to this equipment not expressly approved by the party responsible for compliance could void the user's authority to operate the equipment. This equipment has been tested and found to comply with the limits for a Class A digital device, pursuant to Part 15 of the FCC rules. These limits are designed to provide reasonable protection against harmful interference when the equipment is operated in a commercial environment. This equipment generates, uses and can radiate radio frequency energy and, if not installed and used in accordance with the instruction manual, may cause harmful interference to radio communications. Operation of this equipment in a residential area is likely to cause harmful interference, in which case the user will be required to correct the interference at their expense. The following techniques can be used to reduce interference problems:

1. Disconnect the equipment from its power source to verify that it is or is not the source of the interference.
2. If the equipment is connected to the same outlet as the device experiencing interference, connect the equipment to a different outlet.
3. Move the equipment away from the device receiving the interference.
4. Reposition the receiving antenna for the device receiving the interference.
5. Try combinations of the above.

## Product overview

The portable velocity system is used in the field, laboratory and municipalities. Turbulent, noisy and low flows can be measured with this system.

When the sensor is placed in flowing water, a magnetic field around the sensor creates a voltage proportional to the flow velocity. This voltage amplitude, which represents the rate of water flow around the sensor, is detected by electrodes in the sensor and processed by the sensor microprocessor. The processed signal is digitally transmitted through the sensor cable to the portable meter and the information is shown on the meter display. The system includes a portable meter, sensor with cable and accessories.

The meter and sensor get velocity information in conduits and streams. These measurements are important for calibration in municipal wastewater industries, as well as for developing and maintaining stage discharge relationship curves.

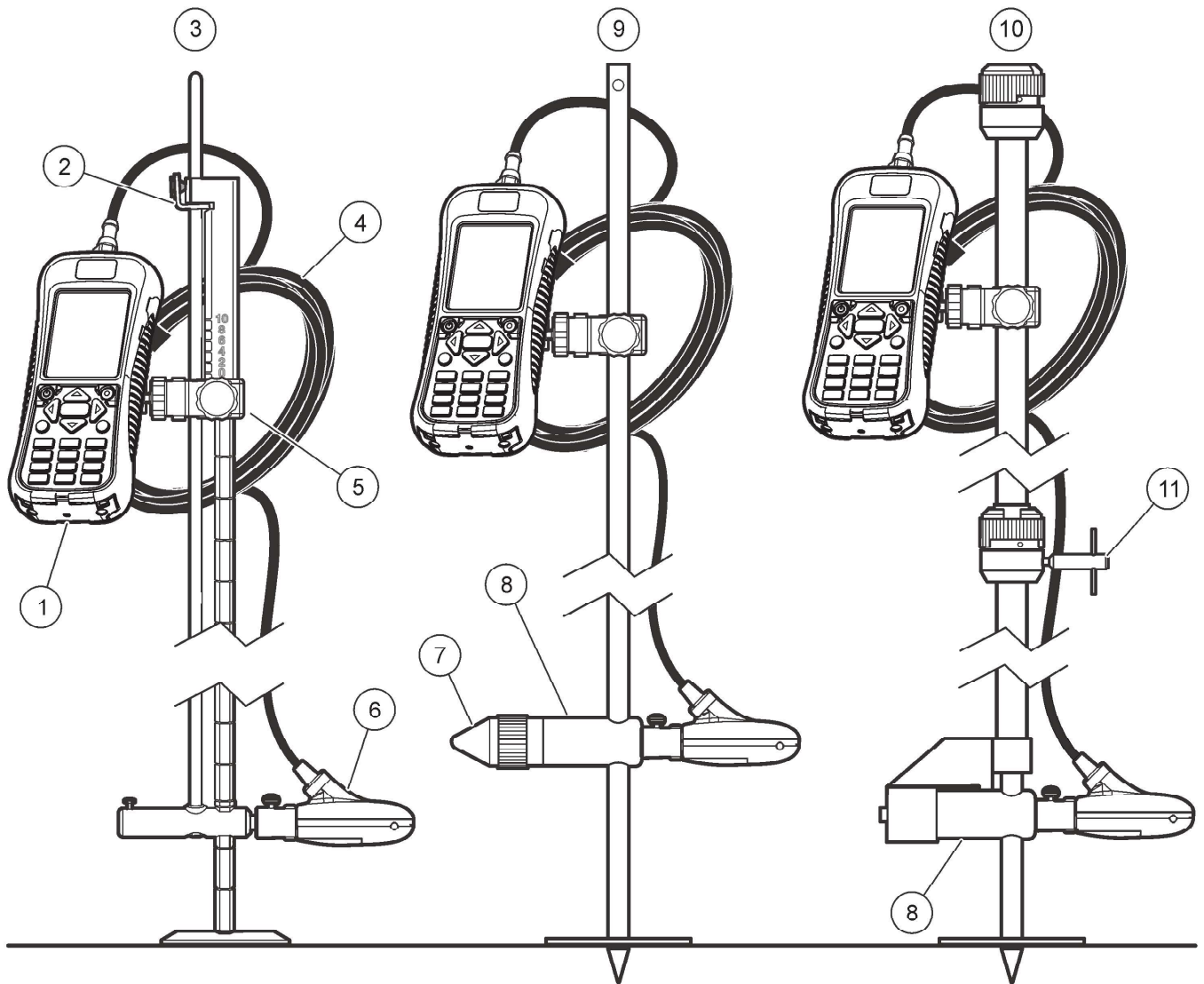
Two types of sensor are available: velocity-only and velocity plus depth. This manual covers both types of sensors. If information applies to a specified type of sensor, this fact is noted in the text.

## System overview

An overview of an assembled system is shown in [Figure 1](#). Refer to the documentation supplied with the individual components or accessories for more information.



**Figure 1 Assembled components**

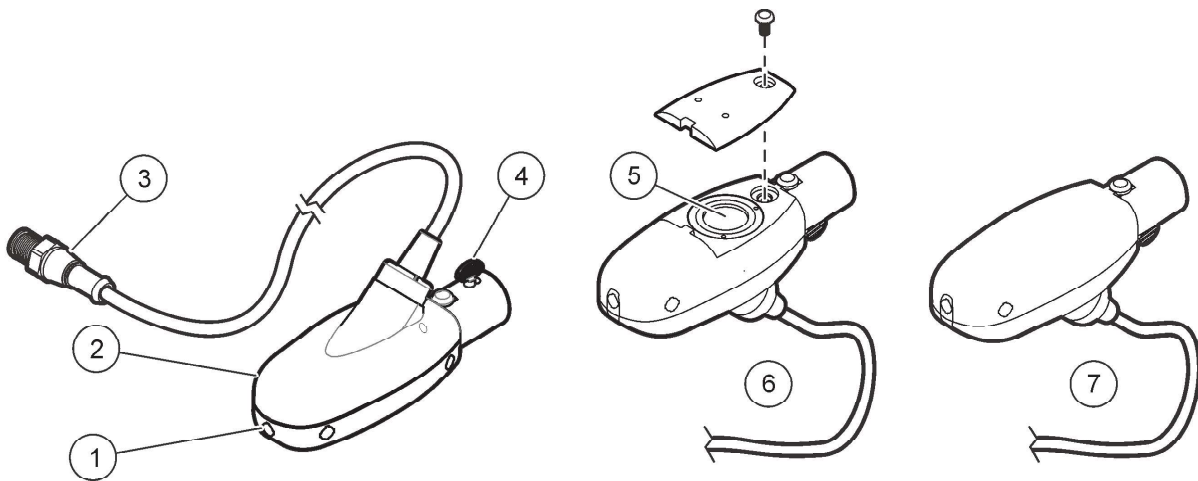


1 Portable meter	7 Sensor height lock/release screw (accessory)
2 Sensor height lock/release device	8 20 mm/HERES wading rod adapter (accessory)
3 Top setting wading rod (accessory)	9 20 mm wading rod (accessory)
4 Sensor cable	10 HERES wading rod (accessory)
5 Adjustable mount for portable meter	11 Sensor height lock/release screw
6 Sensor assembly	

### Sensor overview

Figure 2 shows the main sensor components. Instructions for how to attach the sensor on a standard or top-setting or HERES or 20 mm wading rod are supplied with the accessory.

**Figure 2 Sensor components**

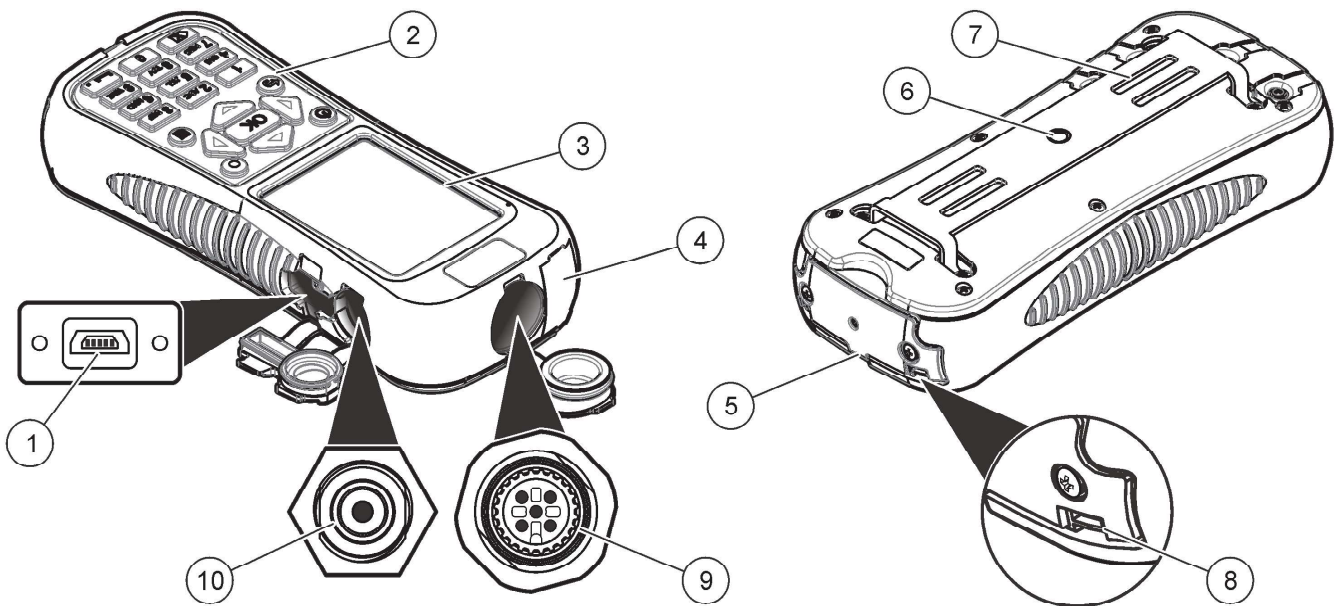


1 Sensor electrodes	5 Pressure cell (sensors with depth option)
2 Sensor body	6 Sensor with depth option
3 Sensor connection plug	7 Sensor without depth option
4 Sensor attachment thumb screw	

**Meter overview**

Figure 3 shows the features of the meter.

**Figure 3 Meter components**



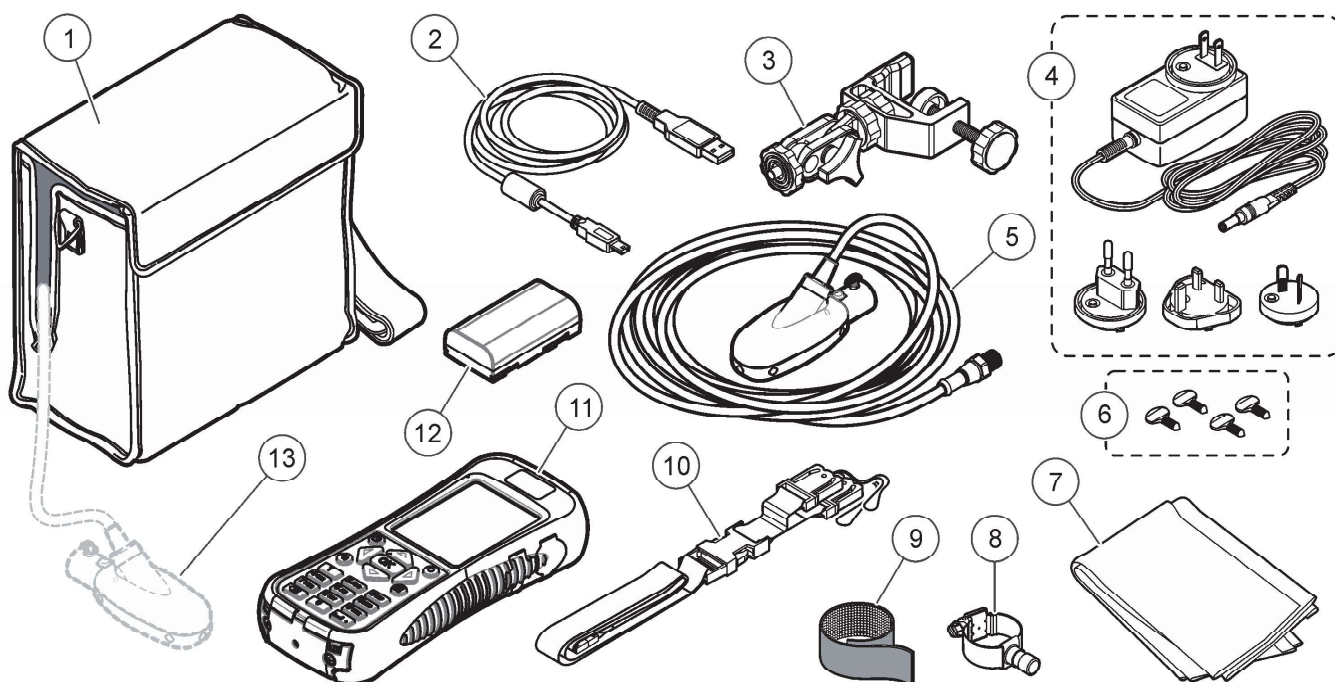
1 USB connection port <sup>2</sup>	6 Threaded hole for adjustable meter mount
2 Keypad	7 Slots for velcro or strap attachment
3 Meter display	8 Slot for neck strap attachment threads (2x)
4 Expansion port (not used)	9 Sensor connection port
5 Battery compartment cover	10 Battery charger connector

<sup>2</sup> Do not use the USB connection to charge the battery.

## Product components

When purchasing a complete system, refer to [Figure 4](#) to make sure that all components have been received. If any of these items are missing or damaged, contact the manufacturer or a sales representative immediately.

**Figure 4 System components**



1 Carrying case (with slot for sensor cable)	8 Universal sensor mount
2 USB cable with mini-USB connector, 1 m (3 ft)	9 Velcro strap
3 Adjustable portable meter mount	10 Lanyard
4 Battery charger, 100–240 VAC	11 Portable meter
5 Sensor	12 Lithium battery pack
6 Extra thumb screws (4x)	13 Sensor as connected to meter inside case
7 Cloth to dry the sensor	

## Installation

### Installation with optional accessories

Mount the meter on an optional wading rod for use in low-stage stream environments where the stream can be waded. Optional accessories let the user take measurements from a bridge or cable over a stream. A torpedo shaped weight attached below the sensor keeps the sensor in place when under water. For more information, refer to the documentation supplied with the accessory.

### Install the sensor on the universal sensor mount

Use the universal sensor mount to attach the sensor to poles 1 inch or less in diameter. For correct operation and accurate readings, the front of the sensor must be pointed upstream with the electrodes in full contact with the flow.

**Note:** Keep the sensor electrodes free from nonconductive substances such as oil and grease. To remove sensor contamination, refer to [Clean the sensor](#) on page 28.

1. The front part of the sensor is round and contains three electrodes. The sensor has a mounting hole in back and a thumbscrew on top. Put the mounting shaft of the universal mount in the

mounting hole at the back of the sensor. Make sure that the mounting shaft is completely engaged with the mounting hole and the thumbscrew is engaged with the groove.

2. Hand tighten the thumbscrew.
3. Move a pole 1 inch or less in diameter through the clamp of the universal sensor mount. Tighten the clamp.

**Note:** Instructions for how to mount the sensor on a standard, top-setting, HERES or 20 mm wading rod are supplied with the accessory.

## Lithium battery safety

### ⚠ WARNING



Fire and explosion hazard. Lithium batteries may get hot, explode or ignite and cause serious injury if exposed to abuse conditions.



- Do not use the battery if there is visible damage.
- Do not use the battery after strong shock or vibration occurs.
- Do not expose the battery to fire.
- Keep the battery at temperatures less than 60 °C (140 °F).
- Keep the battery dry and away from water.
- Prevent contact between the positive and negative battery terminals.
- Do not let unauthorized persons touch the battery.
- Discard the battery in accordance with local, regional and national regulations.
- Do not use or store the instrument in direct sunlight, near a heat source or in high temperature environments such as a closed vehicle in direct sunlight.

## Install the battery

### ⚠ WARNING



Fire and explosion hazard. This equipment contains a high energy lithium battery which can ignite and cause fire or explosion, even without power. To maintain the safety provided by the instrument enclosure, the instrument enclosure covers must be installed and secured with the supplied hardware.



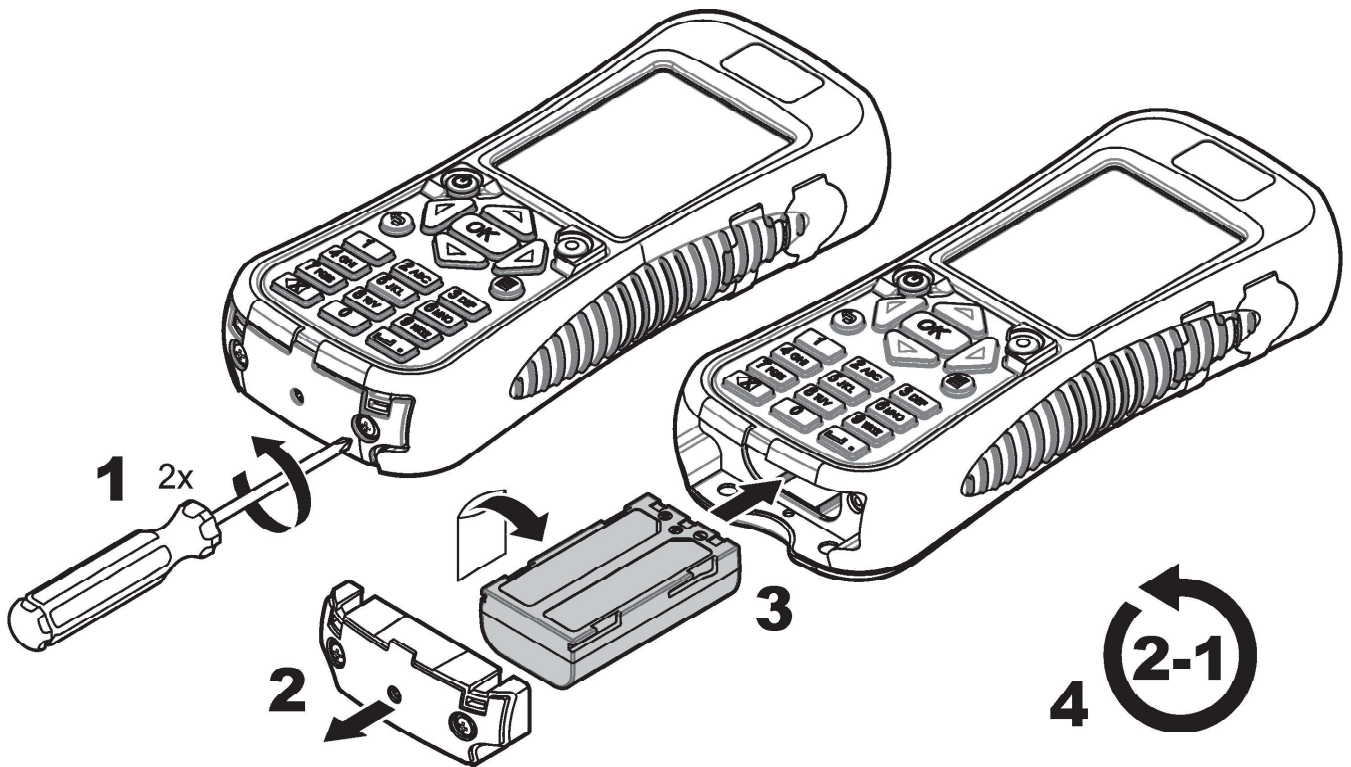
### ⚠ WARNING



Explosion and fire hazard. Battery substitution is not permitted. Use only batteries that are supplied by the instrument manufacturer.

Install the supplied lithium battery as shown in [Figure 5](#).

Figure 5 Install the battery



## Charge the battery

**Note:** Battery charger substitution is not permitted. Use only the charger specified in the list of parts and accessories for the instrument. Refer to [Replacement parts and accessories](#) on page 30.

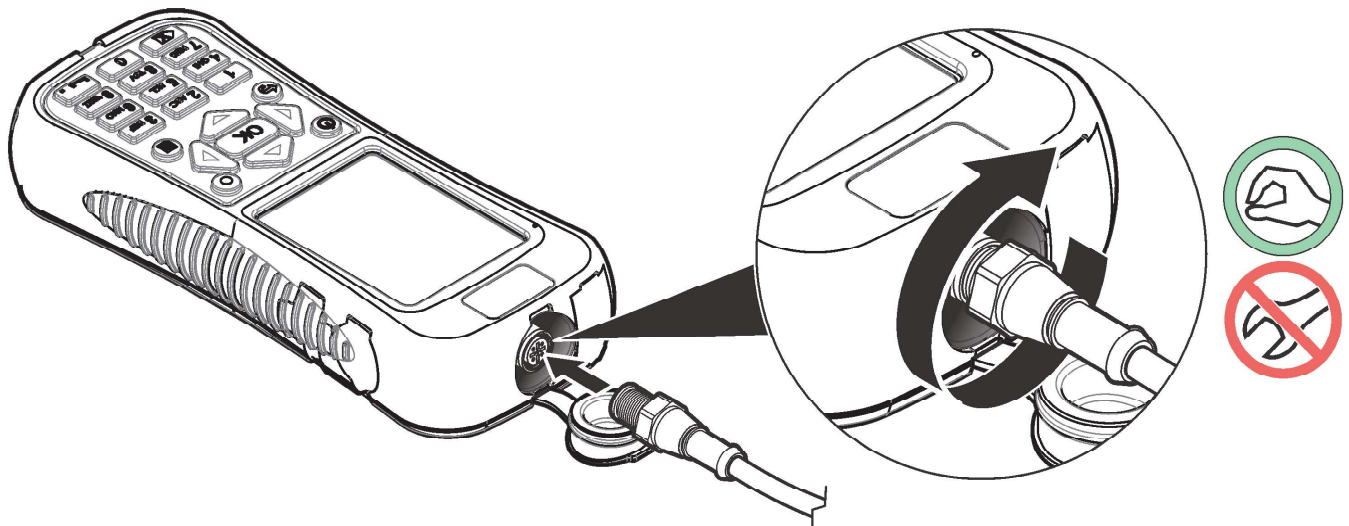
Before initial use, fully charge the instrument battery with the supplied battery charger. A discharged battery is fully charged in approximately 8 hours.

A full battery charge will supply power to the system for approximately 10–11 hours with constant use. When the level of battery charge drops to 3.4 V or less, the display shows a warning and the meter automatically powers off. The battery must be charged before the unit becomes functional again.

1. Make sure that the correct type of plug for the geographic location is installed on the battery charger.
2. Connect the battery charger to an electrical outlet with earth ground.
3. Connect the battery charger to the battery charger connector on the instrument. Refer to [Meter overview](#) on page 8. The battery level shows on the display.  
A blue light shows around the charge port while the battery charges. When the charge process is complete, the blue light goes off.

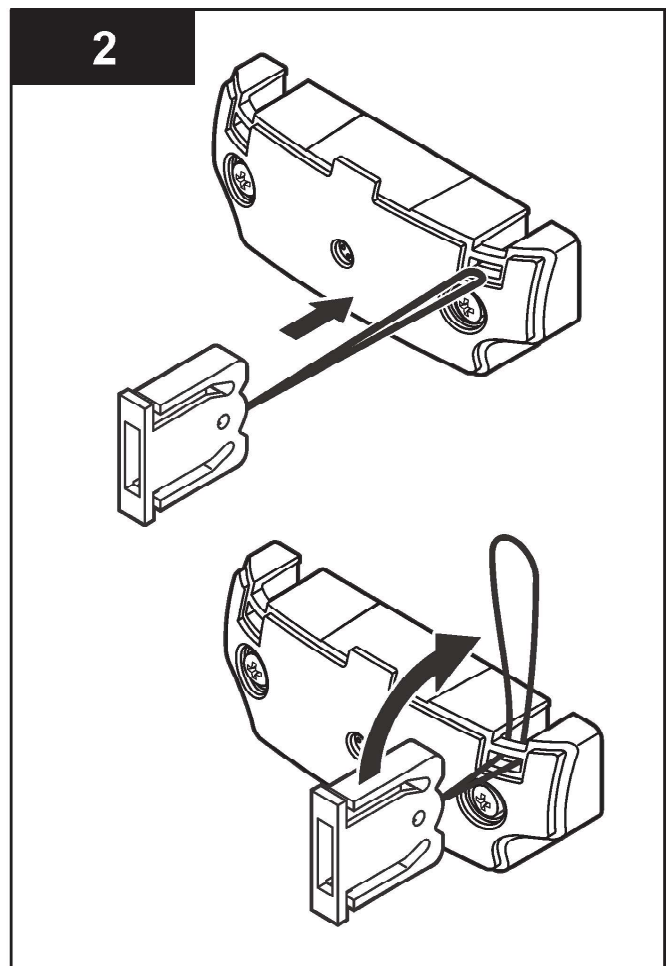
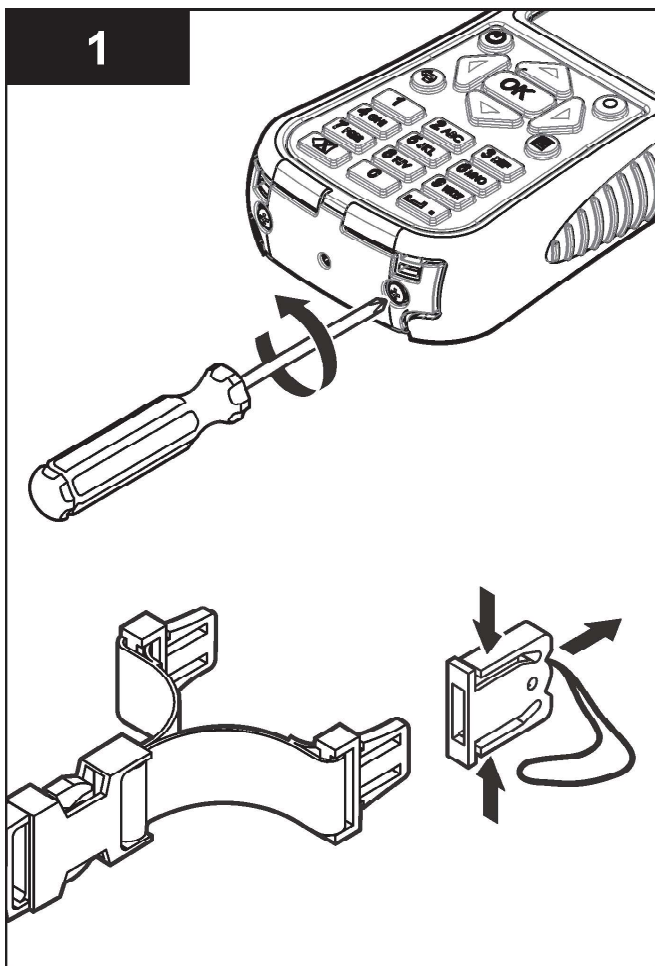
**Note:** The meter is not operational while the battery charges. The battery does not charge through the USB cable connection.

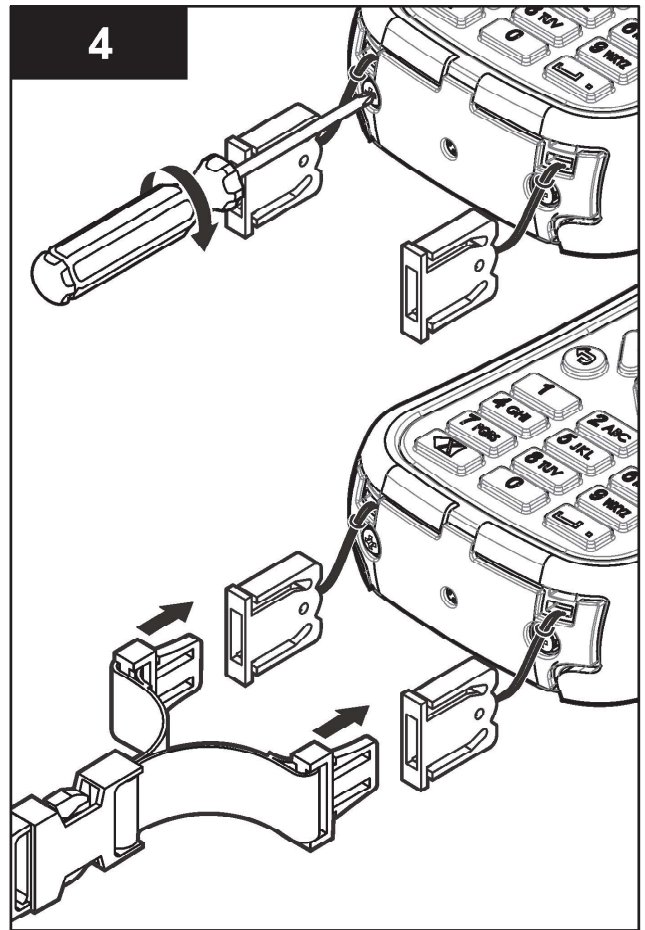
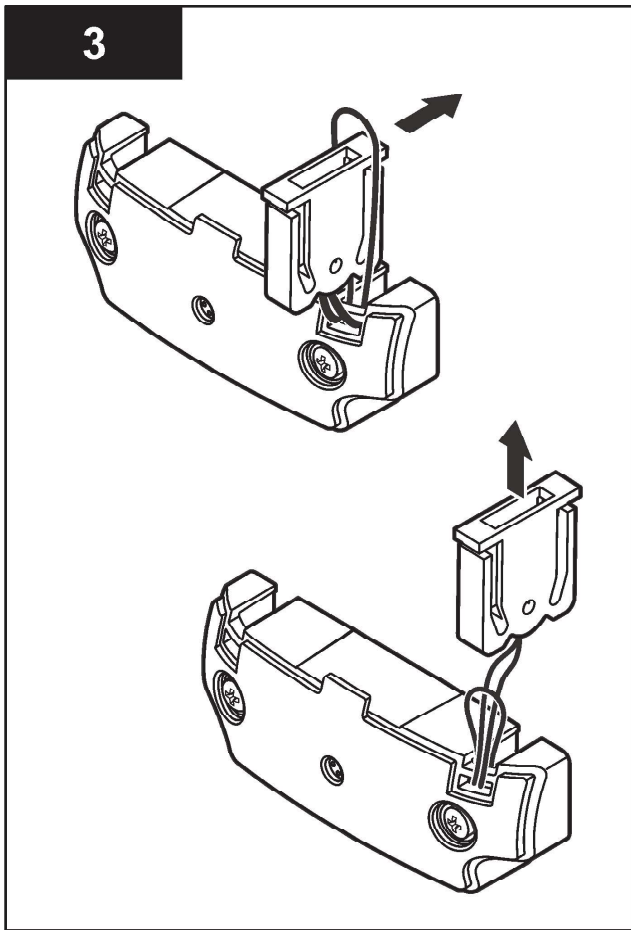
## Connect the sensor to the meter



## Attach the lanyard

Attach the lanyard to wear the meter safely around the neck.

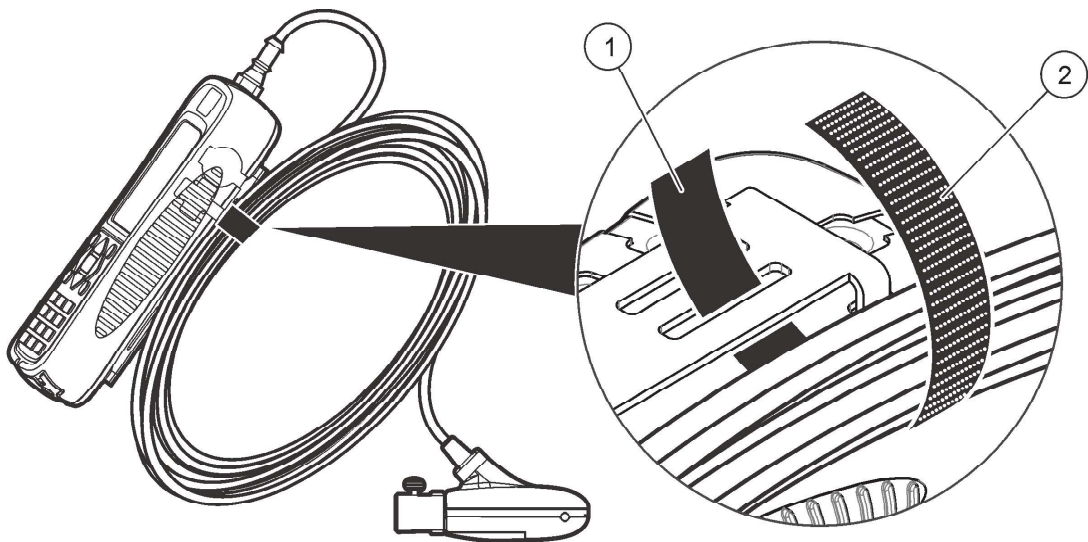




## Attach the velcro strap

Use the velcro strap to hold the extra cable. Refer to [Figure 6](#).

**Figure 6 Attach the velcro strap**



1 Loop side

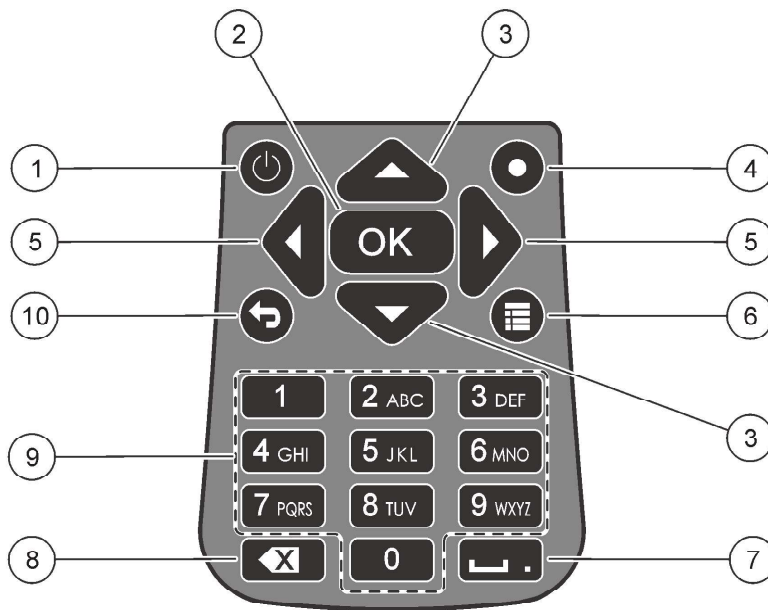
2 Hook side

## User interface and navigation

### Keypad and key functions

[Figure 7](#) shows the meter keypad. [Table 1](#) gives the functions of each key or key type.

**Figure 7 Keypad**



1 Power On/Off	6 Main Menu
2 OK	7 Underscore or decimal
3 Up and Down arrows	8 Backspace
4 Quick Jump	9 Alpha-numeric
5 Right and Left arrows	10 Previous menu

**Table 1 Key description**

Key	Description
Power On/Off	Energizes and de-energizes the meter.
OK	Confirms an entry or highlighted menu option.
Up and Down arrows	Moves up or down in the display. If the cursor is at the top or bottom of the display, the cursor wraps to the bottom or top when the UP or DOWN arrow is pushed.
Quick Jump	In normal operation, this key jumps to the Select conduit shape screen. In profiler operation, the Quick Jump key is disabled. If the auto-zero feature is disabled, hold this key for five seconds to do a manual zero of the depth sensor. In Real-Time mode, the Quick Jump key toggles between the digital and graph views.
Right and Left arrows	Moves to the right or left in the display.
Main Menu	Moves to the Main Menu from any submenu or screen.
Underscore or decimal	Puts in an underscore or decimal character. In numeric-only fields, this key automatically puts a decimal point in the cursor position.
Backspace	Moves the cursor back one space.
Alpha-numeric	Puts in the key alpha or numeric value. Values are put in the order shown on the key. After 2 seconds, the value shown in the display is stored and the cursor advances.
Previous menu	Moves to the previous screen.

**Status bar**

A status bar is shown in the top of the display. Descriptions of the information in the status bar are given in [Table 2](#).



**Table 2 Status bar indicators**

Indicator	Description
Time and Date	Shows the current time and date.
USB	Shows when a USB cable is connected. If a USB cable is connected and this indicator does not show in the status bar, the USB cable is not fully engaged. Make sure that the USB cable is pushed in completely and makes full contact with the connection port.
Conductivity	If the sensor is out of the water and non-conductive, a blue ring appears next to the battery icon. If the sensor is in the water and conductive, the indicator is a solid blue circle.
Battery	A five-bar graph shows the level of charge in the battery.
File access	Shows while the meter gets access to a file.
Auto zero depth indicator	If the depth sensor was zeroed in the last 30 minutes, a solid green circle shows next to the Conductivity indicator. If the depth sensor was not zeroed in the last 30 minutes, this indicator flashes red.

## Navigation and Main Menu

Push **OK** to confirm a selected menu option or a value shown in the display. Select **More** and push **OK** to see additional screens and options if available. Push the **Main Menu** button to go to the Main Menu from a submenu.

***Note:** Some operations cannot be completed unless a sensor is connected to the meter. If these operations are tried when there is no sensor connected, the display shows an error message. Connect a sensor and try the operation again.*

1. **Real time**—Select this option to get real-time velocity and depth information. (A sensor with depth capability is necessary to read depth). An example of a Real Time screen for sensors with velocity only is shown in [Figure 8](#). Real time screens for sensors with both velocity and depth is shown in [Figure 9](#). The format of the information and options shown depends on the type of sensor used. In Real Time mode, the Quick Jump key toggles between digital and graphic views of Real Time information. The velocity is updated in FPA filter mode according to fixed period averaging time. In RC filter mode, the velocity is updated continuously on the screen every 250 ms.

Option	Description
<b>Capture</b>	Stores the depth and velocity information shown in memory. The information is saved until power is cycled, the memory is saved to a non-volatile real-time file, or the user exits from real-time mode.
<b>Save</b>	Saves captured measurements in the volatile memory to a non-volatile real-time file. A message will show if the number of files is greater than the maximum possible. Files are stored in tab delimited (.tsv) format.
<b>Done or OK</b>	Exits the real-time mode and returns to the Main Menu. If there is unsaved data in volatile memory, a confirmation message asks the user to confirm the exit without saving the data.
<b>Clear</b>	Clears captured measurements from the volatile memory buffer. The user can choose from Clear Last, Clear All or Cancel options.

Option	Description
<b>Setup</b>	<p>Allows the user to modify the main filter parameters and enable and program the Maximum Depth sensor positioning feature. The Maximum depth feature allows a user to enter system parameters for depth measurement in Real Time mode. The user can choose to enter a maximum depth value taken directly with a ruler measurement (manual), or taken indirectly with the depth measurement (automatic). Both methods enable the Maximum Depth sensor positioning feature.</p> <p>In automatic mode setup, the user directly enters the distance from the bottom of the channel to the bottom of the sensor mount (offset). The setup interface will continuously show the current depth value returned by the sensor plus the offset. The meter stores this value as the Maximum Depth when the OK button is pushed. In all other cases, the depth values shown do not include the offset.</p> <p>The Maximum depth feature requires a sensor with velocity plus depth.</p>
<b>Files or View</b>	Shows a summary of each real-time file stored in non-volatile memory. Files can be individually viewed and deleted.

**Figure 8 Real time screen**

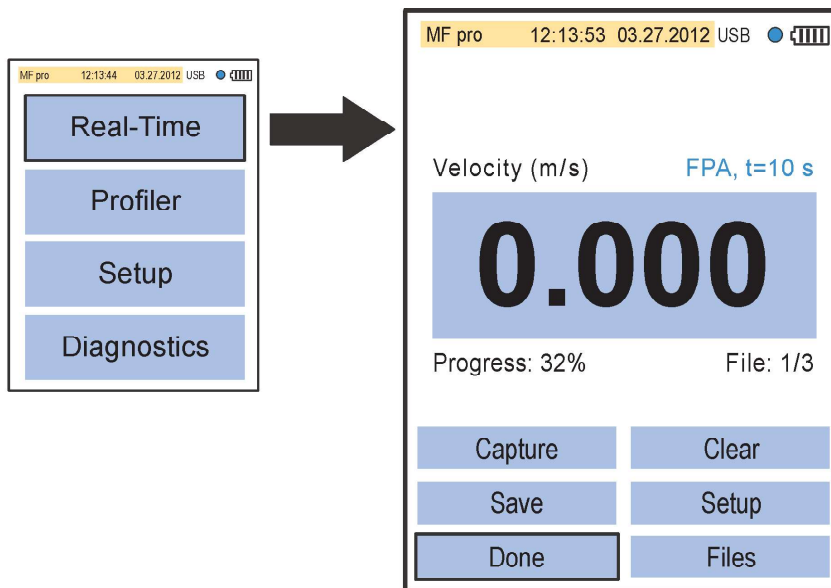
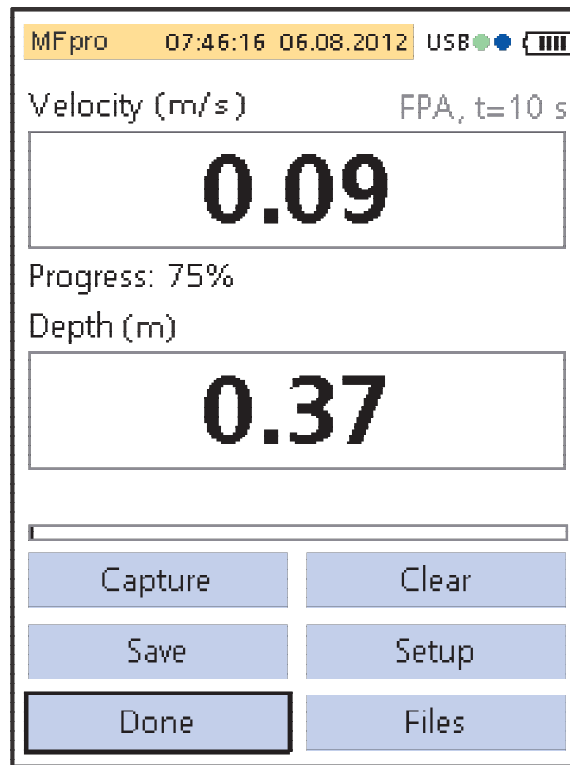


Figure 9 Real time screen for sensor with depth



2. **Profiler**— Select this option to do stream or conduit velocity measurements. The meter shows prompts when user input is necessary. A percentage of the remaining memory is given in 1% resolution. Refer to the [Appendix](#) on page 31 for more information about profiles.

Option	Description
<b>Stream</b>	This option is used to set up a profile for a stream or flowing channel. Do velocity measurements to calculate total discharge based on ISO 748 or USGS standards for Mid-section or Mean-section methods.
<b>Conduit</b>	This option is used to set up a profile for a conduit.
<b>Files</b>	This option is used to view or delete stored files. Files can be deleted all at once or individually.
<b>Setup</b>	This option is used to set up or change the settings for filter parameters and the Maximum Depth feature.

3. **Set up**—Select this option to change general system settings and preferences.

Option	Description
<b>Velocity calibration</b>	Calibrates the sensor. Adds a field offset to the factory calibration. Refer to the <a href="#">Appendix</a> on page 31 for more information.


Option	Description
<b>Filter parameters</b>	<p>Applies a data acquisition filter (Main filter or Pre-filter). The user can select the filter parameters.</p> <p><b>Main filter</b></p> <ul style="list-style-type: none"> <li>Fixed Period Averaging (FPA)—Fixed Period Averaging averages data over a user selectable fixed period of time (1 to 480 seconds). The default is 30 seconds. If the FPA value is 5, the velocity value shown in the display is updated once every 5 seconds.</li> <li>RCA time constant—The RC filter helps smooth out turbulence through the use of a selected time constant in the filter algorithm. This mode is useful when searching for a maximum velocity, for example in the common 0.9 x Vmax profile method. High RC filter time constants give higher degrees of smoothing. The time constant can be set from 2 to 20 seconds, with a default value of 6. At 1 time constant, the filter settles to approximately 60% of the final value. At 5 time constants, the filter settles to 99.9% of the final value. Thus, if the RC value is set to 2, the final value shows after 10 seconds.</li> </ul> <p><b>Pre-filter</b></p> <ul style="list-style-type: none"> <li>Median filter—The filtering process is done in the sensor. The feature can be disabled. However, the recommended (default) value is 5. Enable the feature to enter or change this value.</li> </ul>
<b>Wet/dry threshold</b>	<p>Sets the sensor submersion threshold for wet and dry conditions. The default value is 20%. Refer to <a href="#">Wet/Dry threshold</a> on page 34 for more information.</p>
<b>Auto zero depth</b>	<p>Sets the Auto Zero feature to On or Off.</p> <p>If set to On, the instrument does an air calibration when the sensor is removed from the water and is in the air. To do the air calibration, the instrument automatically zeroes the sensor.</p> <p>If set to Off, the user can manually zero the sensor. To do this, remove the sensor from the flow, then push and hold the Quick Jump key for five seconds.</p> <p>When the sensor has been in the flow for 30 minutes, the green circle in the upper right corner goes from green to red. This is a prompt to the user to remove and zero the sensor again.</p>
<b>EMI</b>	<p>Sets the local line frequency for ambient noise rejection to 50 Hz (default) or 60 Hz .</p>
<b>Clock</b>	<p>Sets the date and time of the portable meter in 24-hour format. Daylight savings time is not supported.</p>
<b>USB</b>	<p>Sets the USB mode.</p> <ul style="list-style-type: none"> <li>Mass Storage (default)—This mode operates like a memory stick or hard drive. Files are read-only.</li> <li>CDC—This mode is used to update firmware.</li> </ul>
<b>Language</b>	<p>Selects the language used in the menus.</p>
<b>Units</b>	<p>Sets the units for velocity, flow and depth measurements. Options are Metric (default) or English .</p>
<b>Beeper</b>	<p>On (default) or Off. If set to On, the meter makes an audible tone when:</p> <ul style="list-style-type: none"> <li>The sensor is at the correct depth for applicable profile methods.</li> <li>95% of the measurement time is complete ( profiler mode).</li> <li>An inactive button is pushed in any menu.</li> </ul> <p>This feature is available only with the optional depth sensor.</p>
<b>Flow calculation</b>	<p>Selects the method of flow calculation for open water segment (stream profiles only). Options are Mean-section or Mid-section. Refer to the <a href="#">Appendix</a> on page 31 for more information.</p>

Option	Description
<b>Station entry</b>	<ul style="list-style-type: none"> <li>Fixed—The operator puts in the width of the stream and the number of stations for measurements. The meter divides the cross-section into evenly spaced distances between the station verticals.</li> <li>Non-fixed (default)—The operator selects the spacing between station verticals. This is the more commonly used option as it lets the operator include obstructions and other restrictions in the cross section.</li> <li>Fixed and Non-fixed—The operator selects the reference plane for depth measurements. Values: Top or Bottom.</li> </ul>
<b>Restore defaults</b>	Sets all meter options to the factory default values.

4. **Diagnostics**— Select this option to troubleshoot problems with the meter or an attached sensor. For more information about the Diagnostics options, refer to [Diagnostics](#) on page 29.

## Startup and self-test

<b>⚠ DANGER</b>	
	<p>Chemical or biological hazards. If this instrument is used to monitor a treatment process and/or chemical feed system for which there are regulatory limits and monitoring requirements related to public health, public safety, food or beverage manufacture or processing, it is the responsibility of the user of this instrument to know and abide by any applicable regulation and to have sufficient and appropriate mechanisms in place for compliance with applicable regulations in the event of malfunction of the instrument.</p>

<b>⚠ WARNING</b>	
	<p>Fire and explosion hazards. Do not use or store the instrument in direct sunlight, near a heat source or in high temperature environments such as a closed vehicle in direct sunlight. Failure to take this precaution can make the battery overheat and cause a fire or explosion.</p>

The battery must be installed in the meter and charged before use. For more information about battery installation and replacement, refer to [Install the battery](#) on page 10. For information on how to charge the battery, refer to [Charge the battery](#) on page 11.

**Note:** *The meter is not operational while the battery charges.*

1. Push the meter power button until an audible beep is heard.  
The meter does a self test and the display shows the results. If the meter fails the self-test, the display shows FAIL next to the failed parameter. If the sensor fails, attach a different sensor if available.
2. When the self test is complete, push **OK** to go to the Main Menu.
3. To de-energize the meter, push the power button again. In the Confirmation screen, select Yes and push **OK**.  
If the portable meter becomes unresponsive, push and hold the power button for more than 3 seconds to force the power off. Do not force off the power in normal operation or when the file access icon is visible.

## Sleep mode

The meter backlight goes dim after 30 seconds of no activity and goes into sleep mode after 60 seconds of no activity. These actions do not occur if the meter is in real-time mode or while the meter is measuring. After 30 minutes in sleep mode, the meter power goes off.

To cancel the sleep mode, push any key. The display brightness goes back to the normal level and all keys go back to their normal functions.

# Operation

## Stream profiles

### Stations and station spacing

For a well-chosen cross-section, division into 25 to 30 partial sections is typically sufficient. If the cross-section is very smooth and the velocity distribution very consistent, it is possible to decrease the number of stations.

Make the distance between the partial stations so that no individual station contains more than 10% of the discharge. The ideal measurement is one in which each partial station contains 5% or less ( $\leq 5\%$ ) of the total discharge, but this is rarely possible when 25 stations are used. Partial stations should not have equal widths across the entire cross-section unless the discharge is well-distributed.

Distances between stations are generally smaller where water depth and flow velocities change significantly. Places where depth and velocities frequently change significantly include bank areas, vertical or steep slopes, ledges in divided cross-sections and transitions from the main stream bed to the foreland. Stations should also be located at points of significant changes in the stream bed profile.

The measurement cross-section must be set at right angles to the direction of flow. Cross-sections must not contain still areas, counter currents or eddies. Do not put the sensor in deep pools, below large inflows, or near ship moorings, ferries or sluices.

Use [Table 3](#) as a guide for the number of stations necessary for an acceptable measurement. The information is based on EN - ISO 748 standards.

**Table 3 Number of stations in relation to the waterway width**

Feet	Meters	Number of stations
< 1.6	< 0.5	5 to 6
> 1.6 and < 3.3	> 0.5 and < 1	6 to 7
> 3.3 and < 9.8	> 1 and < 3	7 to 12
> 9.8 and < 16.4	> 3 and < 5	13 to 16
> 16.4	$\geq 5$	$\geq 22$

### Measure velocity

Measurement quality is dependent on the correct selection of a measurement cross-section. Select a section of stream with the following characteristics:

- The flow directions at each measurement point across the stream are parallel to the bank and perpendicular to the cross-section.
- The streambed is stable and free of large rocks, weeds and protruding obstructions such as piers that cause turbulence.

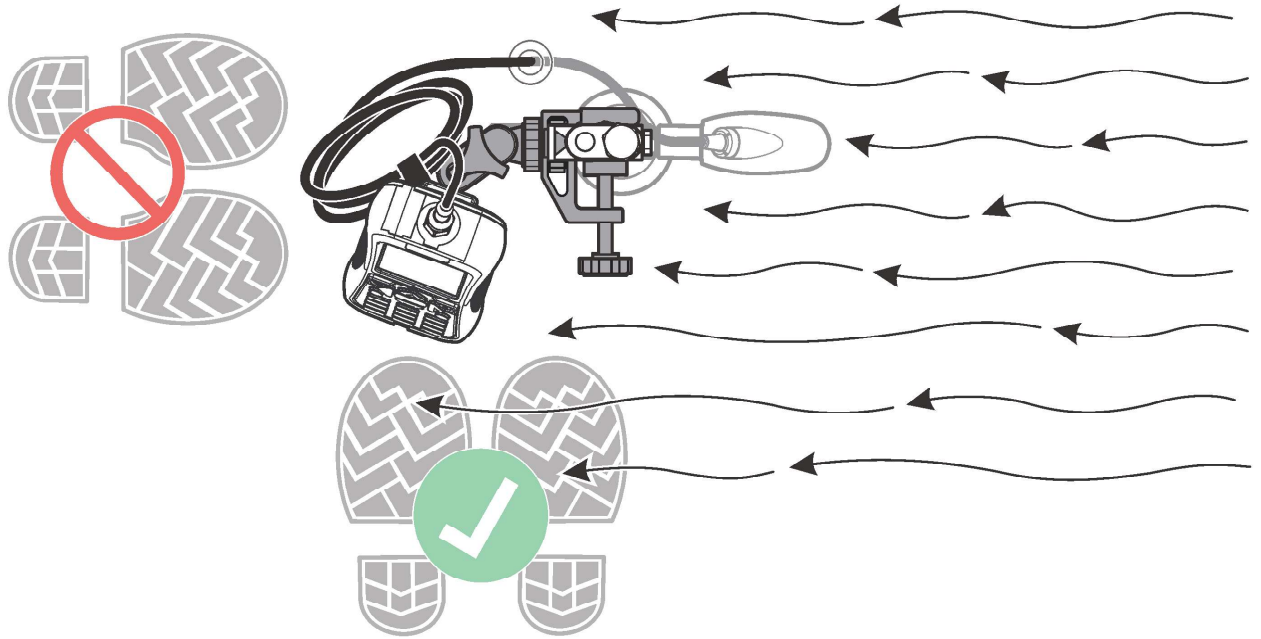
It is often not possible to completely satisfy all of these conditions. Use the criteria to select the best possible section and then select a cross-section.

The general procedure to take velocity measurements in river and stream profiles is described below. Make the first measurement in a stream profile at the top or bottom. Make each subsequent measurement below the last one.

- In fixed mode, divide the channel into stations of equal width.
- Conduct a velocity measurement at each station. The portable meter shows and stores the depth and measured velocity information.
- When the stream profile is completed, the meter automatically calculates the total flow.

For accurate measurement results, stand to the side of the instrument. Refer to [Figure 10](#).

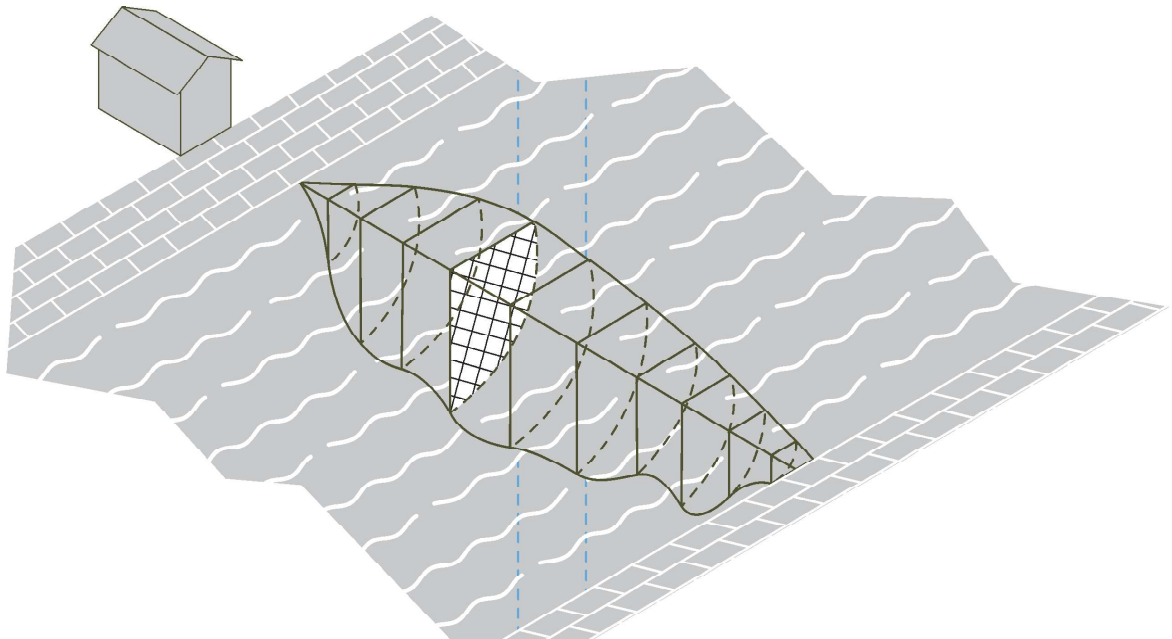
**Figure 10** Position of user in the flow



**Measure velocities in a cross-section**

A typical stream cross-section is shown in [Figure 11](#).

**Figure 11** Example of a typical cross section



To measure velocities in a cross-section:

1. In the Main Menu, select Profiler.
2. A list of options will show.

Option	Description
Stream	Used for measurements in a stream profile.
Conduit	Used for measurements in a conduit profile.

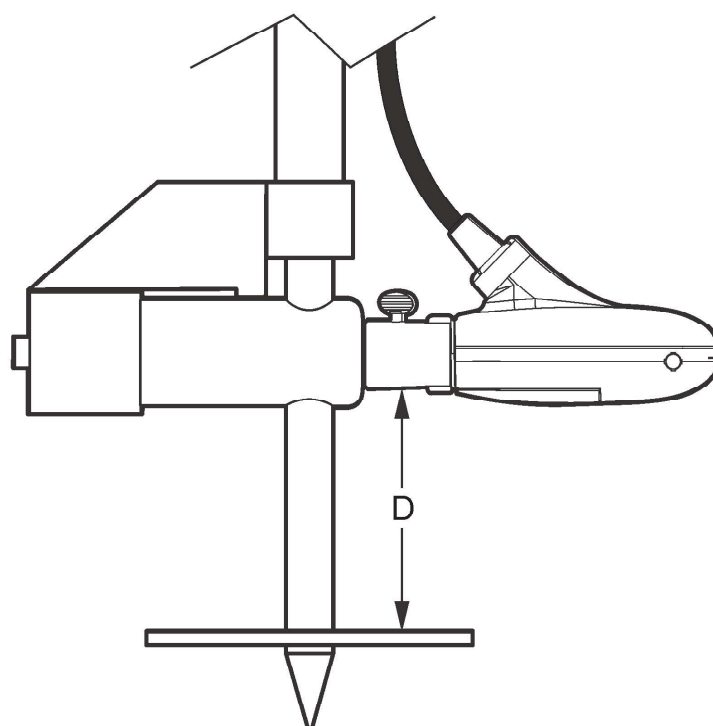
Option	Description
<b>Files</b>	Used to view or delete files.
<b>Setup</b>	Used to set up filter parameters and the Maximum depth feature.

3. Select Setup > Maximum depth. Select Manual or Automatic.

Option	Description
<b>Manual</b>	In this mode, the instrument prompts the user to manually enter the maximum depth of each vertical. This value is normally obtained from a wading rod.
<b>Automatic</b>	In this mode (available only on sensors with the depth option), the instrument uses the pressure transducer to measure the maximum depth at each vertical.

If Automatic is selected, enter the distance from the bottom of the channel to the bottom of the sensor mount (Offset). The Offset distance value can be different based on the used wading rod and the properties of the bottom. Refer to [Figure 12](#). When rods with a base plate and/or tip are used, this extra distance can be larger. This depends on whether the subsurface is firm or yields. The extra distance is important as a parameter for the correct determination of the water depth.

**Figure 12 Offset distance (D)**



4. If necessary, change or update the filter parameters in Profiler Setup.
5. In the Profiler menu, select Stream.
6. Enter the operator name. Make operator names alpha-numeric with a maximum of 23 characters. Push **OK** to save the operator name.
7. Enter the name of the new stream profile. Make profile names alpha-numeric with a maximum of 23 characters. Push **OK** to save the profile name or select Clear to delete all current stream data.
8. In the Station menu, select Edge/Obstruction. Select one of the options.

Option	Description
<b>Left</b>	Select this option if the station is at the left edge of the water or an obstruction (i.e, sandbar, pylon or large boulder).



Option	Description
--------	-------------

**Right** Use this option if the station is at the right edge of water or an obstruction (i.e., sandbar, pylon or large boulder).

**Open water** Use this option to configure the edge as an open water environment (default).

9. Select Distance to Vertical and enter the information.
10. Select Set Depth and enter the information. If at an edge, the meter automatically sets this value to 0.00.
  - a. If Manual mode was selected in the Profiler setup, enter the total depth of water at this vertical position.
  - b. If Automatic mode was selected in the Profiler setup, put the probe at the bottom and push **OK** to set the maximum flow depth at the value shown.
 

*Note: The maximum depth of a vertical probe is the measured immersion plus the offset.*
11. If Left or Right was selected in Step 8, enter an edge factor for the vertical. Select a factor from the list or User-defined. For User-defined values, enter a roughness factor between 0.50 (very rough) and 1.00 (smooth). The roughness factor is relevant only for right angled cross sections. It is used as a factor in the calculation of the discharge proportion of edge areas. For example:
  - Smooth edge with no vegetation (e.g., concrete, steel, cement)— 0.8 to 0.9
  - Brick sides with vegetation— 0.7
  - Rough walls with heavy vegetation—0.6 to 0.5
12. Enter the stage reference. The stage reference is usually an elevation value from an object that cannot be moved (e.g., a survey marker, staff gauge, bridge).
13. Select Next to move to the next station.
14. Select Distance to vertical.
15. Enter the distance of the vertical to the reference point at the bank (e.g., tagline zero).
16. Select Set Depth.
17. Enter the maximum depth (manual mode) or measure the maximum depth (automatic mode).
18. Enter the stage reference.
19. Select Measure Velocity. Select an applicable velocity measurement method.
20. Select a measurement point from the list. Obey the instrument prompts and adjust the sensor to the correct depth. If the sensor has a depth option, adjust the sensor depth until the depth box is green. This means the sensor is in at the correct position.
 

*Note: Red indicates more adjustment is necessary. Yellow indicates the depth is close to the correct depth.*
21. Select Capture to start the measurement process.
22. If necessary, the setup can be changed and the measurement can be repeated. When the measurement is complete, push **OK** to store the data.
23. Repeat steps 20–22 for the other measurement points on the vertical.
24. When all measurements for the station are complete, select Main or Verify results. Push **OK** to return to the list of measurement points.

Option	Description
--------	-------------

**Main** Returns to the station menu.

**Verify** Shows the average velocity reading for the station based on the measurement method.

25. Select Next to go to the next station.
26. Repeat steps 14–25 for all of the remaining stations selected for velocity measurements.
27. If the stop bank shows, select Edge/Obstruction. Repeat steps 8–12. To examine the measurement before exit, select Channel Summary.
28. Select Save data and Exit. Enter a name for the file and push **OK**.
 

*Note: A warning flag will show if the discharge in one or more segments is more than 5% of the total discharge.*

## Insert or delete a station

**Prev**, **Next**, **Ins** and **Del** options show at the bottom of the display in the Station screen. **Prev** and **Next** are used to navigate to a previous or subsequent station. **Ins** and **Del** are used to insert or delete a station.

For example, after measurements have been done at 10 stations, a user may wish to insert a new station between stations 3 and 4. The steps below describe how to do this. These steps can be applied in similar situations.

1. Select **Prev** and push **OK** until the display shows the information for Station 3.
2. Select **Ins** and push **OK**.  
The instrument adds a new station named Station 4. Subsequent stations are automatically given new sequential numbers.
3. To delete the current station (when in non-fixed mode), select **Del** and push **OK**.

## Conduit profiles

It is possible to use all of the methods for conduit profiles in this section in sites with a typical profile shape and sufficient depth to measure 3-point velocities. The 0.9 x Vmax method can also be used when the depth is not sufficient for multi-point profiles.

*Note: In typical conduit profiles, the first measurement is made at the bottom. Subsequent measurements are made above the one made before. A different procedure may be necessary for some profiles.*

1. In the Main Menu, select Profiler.
2. Enter the operator name.
3. In the list of options, select Conduit.
4. Enter a name for the new Conduit profile.
5. Select the conduit shape.  
*Note: The input screens that show next depend on the shape selected.*
6. Enter values at the screen prompts.  
When the necessary values have been entered, the display shows the Select Method menu.
7. Select a profile method and do the steps for the method.

Option	Description
<b>0.9 x Vmax</b>	The meter calculates flow based on 90% of the fastest velocity. This is the recommended method when the depth is less than 12.7 cm (5 in.) or when the velocity is not stable.
<b>0.2/0.4/0.8</b>	The meter calculates the flow value based on velocity measurements taken at 0.2, 0.4 and 0.8 x the depth. One and two-point versions of this method are also possible.
<b>Vel./Lev. Integ.</b>	The meter integrates 10 separate velocity and level measurements to calculate the flow level.
<b>2D</b>	The sensor collects information while constantly moved through the flow in a specified pattern. The meter calculates the flow value when the user selects Save. This method is recommended for flows where a difference of 30% or more exists between the right and left side velocities.

## 0.9 x Vmax measurement method

The meter uses the maximum velocity measurement in the conduit and multiplies this value by 0.9 to calculate the total flow.

*Note: The RC filter mode with a value of 2 to 4 seconds is recommended for this method.*

1. In the Select Method menu, select 0.9 x Vmax.
2. With the sensor in the flow, select Measure Velocity to get a velocity measurement.  
The measured values are shown on the graph.
3. Move the sensor until a point of maximum velocity is found, then push **OK**.

The meter calculates and shows the flow, maximum and average velocity values.

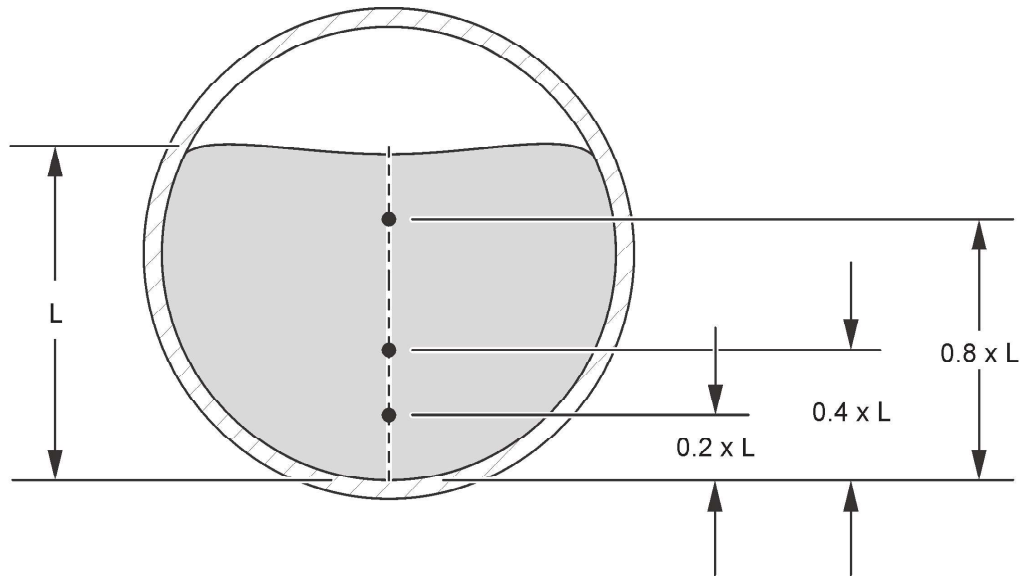
4. Select Save.

The information is saved to a data file.

### 0.2/0.4/0.8 method

Do measurements at one, two or three points to calculate an average velocity. Each point represents a percentage of the maximum depth as measured on the center line as shown in Figure 13.

Figure 13 2-4-8 profile



1. In the Select Method menu, select **0.2/0.4/0.8**.

2. Select one of the options.

Option	Description
One point	One-point measurement at 0.4 x maximum depth
Two point	Two-point measurement at 0.2 and 0.8 x maximum depth
Three point	Three-point measurement at 0.2, 0.4 and 0.8 x maximum depth

3. For the selected option, select a measurement point. The meter shows the sensor adjustment information.

4. If necessary, adjust the sensor as necessary.

5. Select Capture.

The meter gets information from the sensor and shows the velocity value in numerical and graphical form.

6. If necessary, select Setup to change the Y-axis range or the data filter parameters.

7. Push **OK**.

8. Do steps 3–7 for all of the other measurement points then push **OK** to return to the list of measurement points.

9. Select Flow.

10. Select Save to save the information to a data file.

### Velocity/Level Integration measurement method

Measurements are done at 10 different depths. The results from all segments are integrated to calculate the flow value.

- Select Prev or Next to go to another measurement.
- Select Main to return to the Select Method menu.

1. In the Select method menu, select Vel./Lev. Integ.  
The display shows the first measurement screen.
2. Select Measure Velocity.  
The sensor depth information is shown.
3. If necessary, adjust the sensor depth as shown.
4. Select Capture.  
The handheld unit gets information from the sensor and shows the average velocity value in numeric and graphical form.
5. If necessary, select Setup to change the Y-axis range in FPA filtering mode, the X and Y-axis range when in RC filtering mode or the data filter parameters.
6. Push **OK** to confirm the information.
7. Select Next. The next measurement screen in the series appears.
8. Do steps 2–7 for the other measurement depths.
9. Select one of the options at the bottom of the screen.

Option	Description
Save	Calculates the current flow value and saves this information to a data file.
Units	Changes the unit type (English or Metric).

## 2D measurement method

Velocity is measured while the sensor is moved through the flow as shown in [Figure 14](#).

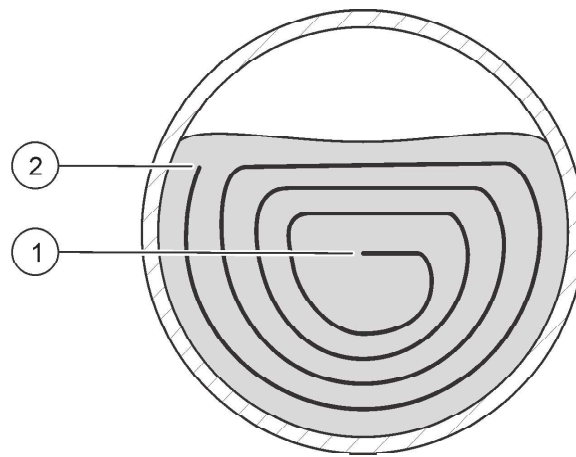
Select Cancel at any time to cancel the measurement and return to the Select Method menu.

**Note:** The RC filter mode with a value of 2 to 4 seconds is recommended for this method.

1. In the Select method menu, select 2D.  
The sensor depth information is shown.
2. If necessary, adjust the sensor depth.
3. Select Capture. While the sensor collects data, move the sensor through the entire cross-section in the pattern shown in [Figure 14](#).
4. If necessary, select Setup to change the Y-axis range in FPA filtering mode, the X and Y-axis range when in RC filtering mode or the data filter parameters.
5. Push **OK**.
6. Select one of the options shown at the bottom of the screen.

Option	Description
Save	Calculates the current flow value and saves this information to a data file.
Units	Changes the unit type (English or Metric).

**Figure 14 Path of the sensor in the flow**



1 Start	2 Finish
---------	----------

## Download data

The meter directory is Read Only. In Windows, the meter operates as a mass storage device or removable hard drive.

1. Set the meter to USB Mass Storage mode.
2. To edit the data in a file, drag and drop the file to a laptop or PC. File names are limited to eight characters.
3. Data files are kept in the tab separated variable (.TSV) format. To see files in Microsoft® Excel, double or right-click a file and open the file with Excel.  
Real time files are stored in a directory called RT. Stream and conduit profile files are stored in a directory called P.

## Delete data files

1. To delete all files from USB memory:
  - a. Go to Main Menu > Diagnostics > Delete Files.
  - b. In the confirmation window, select Yes.
  - c. Push **OK** once to delete the files, then one more time to return to the previous screen.
2. To delete Real Time files:
  - a. Go to Main Menu > Real-Time > Files.
  - b. Select Delete All or use the UP or DOWN arrow to select a file in the list.
  - c. Push **OK** once to delete the files, then one more time to return to the previous screen.
3. To delete Profiler files:
  - a. Go to Main Menu > Profiler > Files.
  - b. Select Delete All or use the UP or DOWN arrow to select a file in the list.
  - c. Push **OK** once to delete the files, then one more time to return to the previous screen.

## Maintenance

### Download the PVM utility

The PVM utility is used to update the firmware in the portable meter. The PVM Utility is available at <http://www.ott.com>. Do the steps listed for the selected URL.

1. Go to <http://www.ott.com>.
2. Click Resources.
3. Select MF pro.
4. Click PVMSetup.msi.
5. Choose Save or Run.

## Update the firmware



**Note:** All data files in mass storage are lost when the firmware is updated. To download data, refer to [Download data](#) on page 27.

The PVM Utility is necessary for this procedure. To download the PVM Utility, refer to [Download the PVM utility](#) on page 27.

This is the general procedure to update firmware for the meter and sensor. To update the sensor firmware, the sensor must be connected to the meter.

1. Double-click the PVM Utility desktop icon.
2. Push the power button on the meter. When the meter self-test is complete, push **OK**.
3. In the Main Menu, select Setup, then push **OK**.
4. Select USB>CDC, then push **OK**.
5. Connect the USB cable to the portable meter and the PC.
6. In the PVM Utility window, select Connect.
7. In the drop-down menu, select the PVM (COM X) port, where COM X is the virtual port number assigned to the PVM by Windows. Push **OK**.
8. In the left-side panel, select Firmware Update, then select the Meter or Sensor tab.
9. Select the correct firmware version, then click Start.  
The firmware download starts. A "Firmware update successful" message shows when the download is complete. For meter updates, the instrument display turns off until the instrument completes the update. Then, the instrument automatically resets and powers up again after a few minutes. Do not try to make the instrument power on or off before the update process is complete.
10. In the Main Menu, select Diagnostics > About. Make sure that the firmware versions for both the Handheld Boot and the Handheld Application are correct.

## Clean the sensor

<b>⚠ WARNING</b>	
 	<p>Chemical exposure hazard. Obey laboratory safety procedures and wear all of the personal protective equipment appropriate to the chemicals that are handled. Refer to the current safety data sheets (MSDS/SDS) for safety protocols.</p>

Clean the sensor when unexpected increases or decreases in flow or level trends occur and after use in sandy or muddy waterways.

For heavy contamination, soak the sensor in clear water for a few minutes to help make the contamination easy to remove.

Disconnect the sensor from the meter before it is cleaned. Use only solutions listed as acceptable in [Table 4](#) to clean the sensor. For sensors with a pressure cell (i.e., velocity plus depth sensors), make sure the holes for the pressure cell chambers are washed out and clear of contamination. Rinse the sensor with clean water before re-attaching the sensor to the assembly.

**Table 4 Acceptable and unacceptable cleaning solutions**



Acceptable	Do not use
Dish detergent and water	Concentrated bleach
Window cleaner	Kerosene
Isopropyl alcohol	Gasoline
	Aromatic hydrocarbons

## Clean the meter

1. Push the power button to de-energize the meter.
2. Use a clean, moist cloth to clean the meter exterior. Mix the water with a mild detergent if necessary.
3. Dry the meter exterior with a clean cloth. Let the meter dry in air completely before it is energized again.

**Note:** Do not use paper-based cloths to clean the display. This type of cloth can cause damage to the display screen.

## Replace the battery

<b>⚠ WARNING</b>	
	<p>Fire and explosion hazard. This equipment contains a high energy lithium battery which can ignite and cause fire or explosion, even without power. To maintain the safety provided by the instrument enclosure, the instrument enclosure covers must be installed and secured with the supplied hardware.</p>
<b>⚠ WARNING</b>	
	<p>Explosion and fire hazard. Battery substitution is not permitted. Use only batteries that are supplied by the instrument manufacturer.</p>

Replace the battery when the battery does not hold power when charged.

**Note:** If the instrument must be returned to the factory for repair or maintenance, remove the battery and put the battery in a protective cover before shipment.

1. Set the power to off.
2. Remove the battery. Refer to [Install the battery](#) on page 10.
3. Discard the battery in accordance with local, regional and national regulations.
4. Install a new battery in the same location and with the same orientation. Refer to [Install the battery](#) on page 10.  
Use only batteries that are supplied by the instrument manufacturer.
5. Install the battery cover. Make sure that the cover is secure to keep the enclosure rating.
6. Charge the battery if necessary. Refer to [Charge the battery](#) on page 11.

## Troubleshooting

### Diagnostics

In the Main Menu, select Diagnostics to see information about the meter and do the diagnostic tests in [Table 5](#).

**Table 5 Meter diagnostics**

Option	Description
About	Shows information about the meter and the sensor. Includes the serial number and the firmware version.
Delete files	Deletes all files from memory to make space for new measurements. Make sure that the data is downloaded to a PC before this option is selected. The system automatically reformats the memory after file deletion.
Sensor	Shows diagnostic information about the sensor.
Self test	Makes the meter do a diagnostic self test.
Key pad test	Does a test of any button to make sure that the button is functional.
Display test	Does a test on the display to make sure that the display is functional.
Event log	Lets the user see, delete or export the event log. Export the event log to make the contents available as an accessible file through USB mass storage. This option is used primarily by factory service.

## Troubleshoot errors

The meter and sensor contain no user-serviceable parts. For the errors and messages listed, try the corrective action.

If the problem does not go away or a problem occurs that is not in the list, contact the manufacturer.

Message or problem	Solution
Sensor is not connected	Connect a sensor and try the action again.
Value is out of range	Change the measurement parameters or put in a different value, then try the action again.
Sensor data is known to be not correct or not accurate	Clean the sensor and test.
Sensor is not recognized	Check the sensor connection. Make sure that the lock nut on the connection port is tight (finger-tighten only).
Display is dim or is not visible	Push a key on the keypad.
Data is not available or access to the data is not possible	Make sure that the USB option (Main Menu) is set to Mass Storage.
Meter is unresponsive	Push and hold the power button for at least 3 seconds. This de-energizes the meter. Energize the meter again. <i>Note: Do not use this method to power off while in normal operation or if the file access icon is visible in the display.</i>

## Replacement parts and accessories

### ⚠ WARNING



Personal injury hazard. Use of non-approved parts may cause personal injury, damage to the instrument or equipment malfunction. The replacement parts in this section are approved by the manufacturer.

**Note:** Product and Article numbers may vary for some selling regions. Contact the appropriate distributor or refer to the company website for contact information.



## Replacement parts

**Table 6 Velocity only sensor**

Description	Item no.
Sensor with 2 m (6.5 ft) cable	1040500595-0N
Sensor with 6.1 m (20 ft) cable	1040500595-1N
Sensor with 12.2 m (40 ft) cable	1040500595-2N
Sensor with 30.5 m (100 ft) cable	1040500595-3N

**Table 7 Velocity with depth sensor**

Description	Item no.
Sensor with 2 m (6.5 ft) cable	1040500595-0D
Sensor with 6.1 m (20 ft) cable	1040500595-1D
Sensor with 12.2 m (40 ft) cable	1040500595-2D
Sensor with 30.5 m (100 ft) cable	1040500595-3D

**Table 8 Handheld meter**

Description	Item no.
English/Metric	1040500195-S

## Accessories

**Table 9 General accessories**

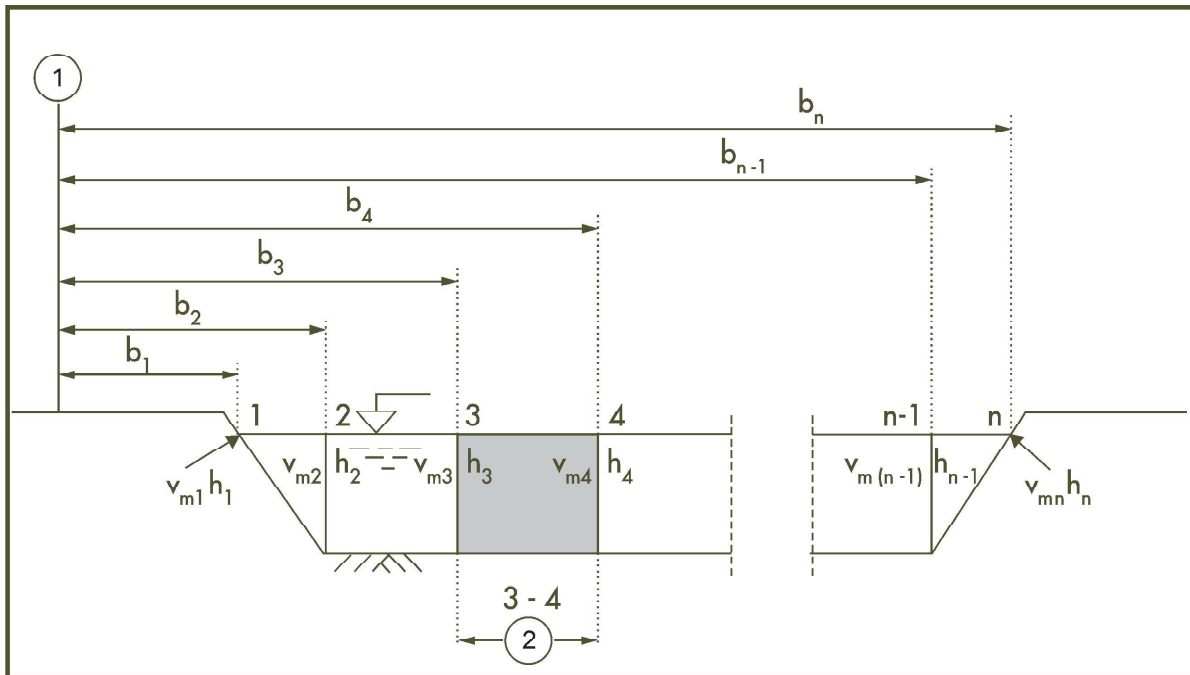
Description	Item no.
Adjustable meter mount	10.405.405.9.5
Power supply, 90–264 VAC, 47–63 Hz, 12 V	H002782
AC Adapters, 4-plug wall clip set	H002781
Carrying case	10.405.401.9.5
Lanyard, double ended loop	10.405.403.9.5
Lithium battery pack	97.820.021.9.5
Thumb screw kit (includes four thumb screws)	10.405.418.9.5
Universal sensor mount	10.405.419.9.5
USB cable	97.120.412.9.5

## Appendix

### Mean-section and Mid-section methods

The user can select the Mean-section or the Mid-section method for flow calculations. The Mean-section method divides the cross-section into individual flow segments. Pairs of adjacent verticals are the limits of the segments. The two edges of the cross-section are given values of 0 for the velocity and depth. The total flow is the sum of the partial flows of all segments. [Figure 15](#) shows the definitions and the equation for the Mean-section method.

Figure 15 Mean-section method



$$q_{3-4} = \left( \frac{V_{m3} + V_{m4}}{2} \right) \times \left( \frac{h_3 + h_4}{2} \right) \times (b_4 - b_3)$$

Where:

$V$  = velocity at vertical

$b$  = distance to vertical from bank

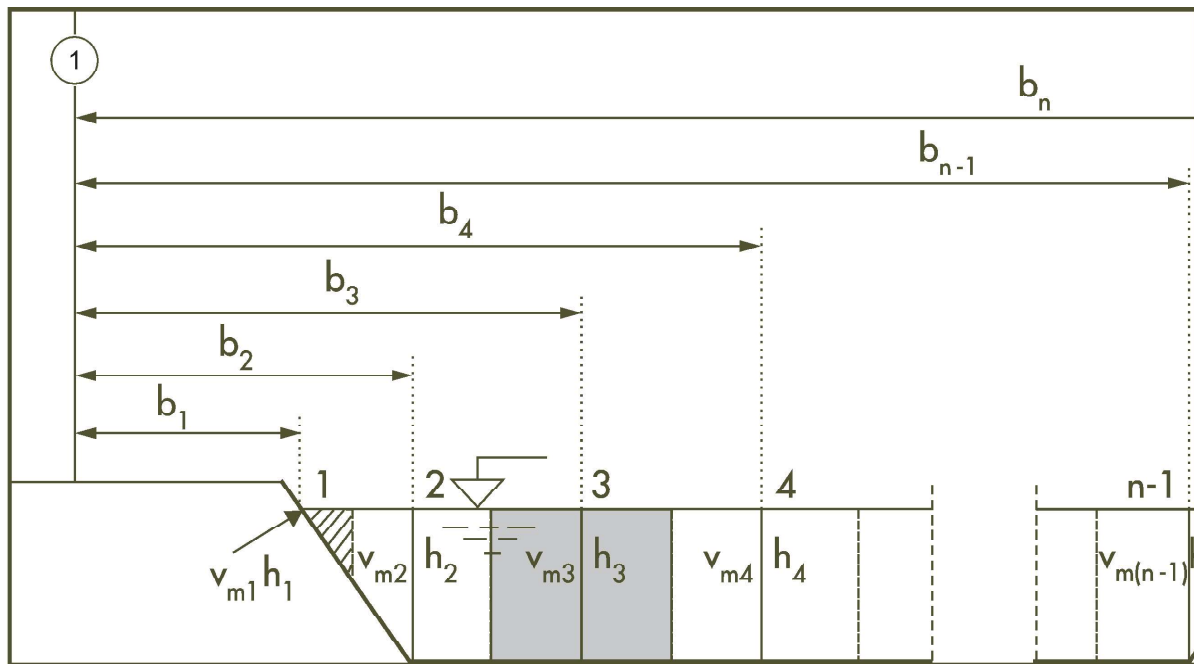
$h$  = depth at vertical

$q$  = flow at vertical

The Mid-section method also divides the cross-section into individual flow segments. With the Mid-section method, the segments are not between verticals but are defined by half of the distance to neighbor verticals in each case. For this reason, the first and last verticals should be as near to the edges as possible (i.e., left edge of water (LEW) and right edge of water (REW)). Boundary conditions dictate the proximity of the first and last vertical to the edge of water.

Experience shows that the Mid-section method gives more exact results compared to the Mean-section method so it is the default setting. Figure 16 shows the definitions and equation for the Mid-section method.

**Figure 16 Mid-section method**



$$q_3 = V_{m3} \times \left( \frac{(b_3 - b_2) + (b_4 - b_3)}{2} \right) \times h_3$$

Where:

m = station number

n = total number of stations

V = velocity at vertical

b = distance to vertical from bank

h = depth at vertical

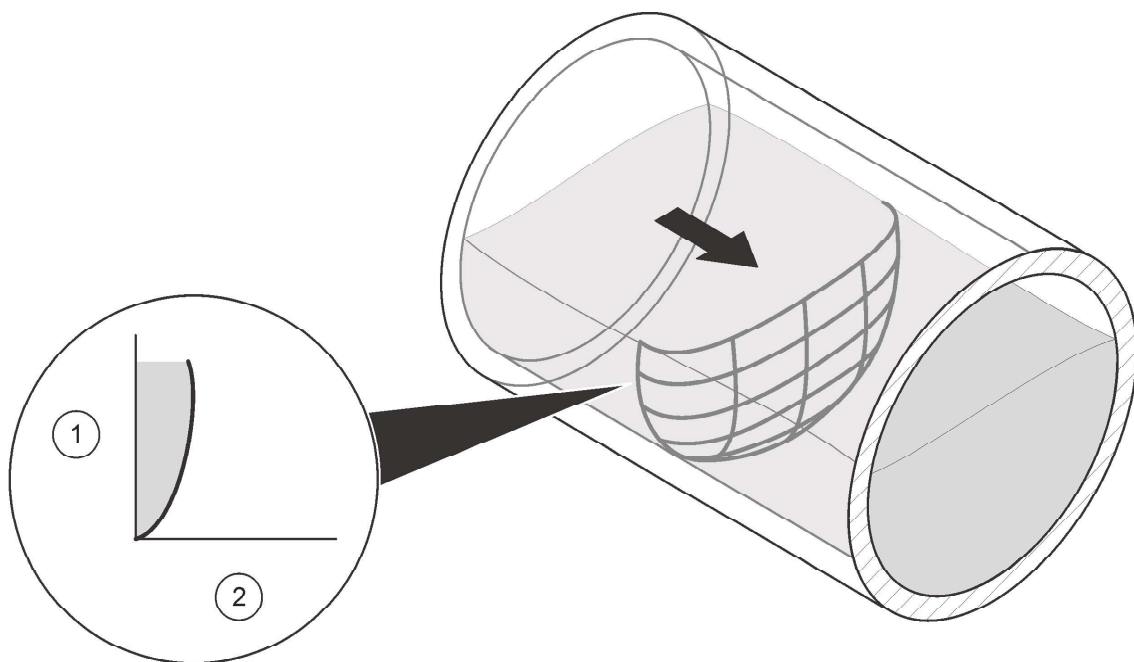
q = flow at vertical

## Profiles and measurements

Profiles can be set up for streams or conduits. [Figure 17](#) shows an example of a typical profile shape in a conduit. In a typical profile, velocity is less near a wall or edge than at the center and decreases near the surface. Multiple velocity measurements in the profile are averaged to calculate the total flow. Measurements for conduit profiles are made from the bottom up. Measurements for stream profiles are made from the top down or bottom up.

In the Main Menu, select Profiler. The meter prompts for the operator name, the type of profile (stream or conduit) and the profile name. Do the instructions for the selected profile type.

**Figure 17 Typical profile**



1 Depth

2 Velocity

## Site selection

A site with the typical profile shape gives the most accurate results. Visual inspection is typically sufficient to identify problem sites. Use the information in these guidelines to help select the best site. These guidelines apply to conduit and stream profiles.

- The channel should have as much straight run as possible. If the length of the straight run is limited, the length upstream from the profile should be two times the downstream length.
- The channel should be free of flow disturbances. The site must not have protruding pipe joints, sudden changes in diameter, contributing side-streams, outgoing side-streams or obstructions. Remove all rocks, sediment or other debris from the bottom of the pipe.
- The flow should not have visible swirls, eddies, vortices, back-flow or dead zones.
- Do not select areas immediately downstream from sharp bends or obstructions.
- Do not select areas with converging or diverging flow (approaches to a flume) or vertical drops.
- Do not select areas immediately downstream from sluice gates or places where the channel spills into a body of stationary water.

## Do a velocity calibration

Use this feature to remove a velocity offset if necessary. The velocity offset stays active until the meter power is switched off.

1. Collect a bucket of water from the water in the profile area. The bucket must be non-metallic and at least 20.32 cm (8 in.). The water depth must be at least 15.24 cm (6 in.).
2. Put the sensor in the center of the bucket so that it does not touch the sidewall or the bottom of the bucket.
3. Let the water become still.
4. Let the velocity reading stabilize.
5. Select Zero Velocity.

## Wet/Dry threshold

The wet/dry threshold is the trigger point for the meter to know when the sensor is in or out of the water. This information is important because if the meter does not know that the sensor is under the

surface of the water, the meter sets the velocity value to zero. For a profile or real-time reading, the meter prompts the user to submerge the sensor in the water.

If the specific conductivity of the water being measured is very low, adjust the threshold value for the best performance. Go to Setup Menu>Wet/Dry Threshold.

For troubleshooting, the present reading is used as a guide to set a custom threshold. Get a reading in the water (wet) and then out of the water (dry). The threshold value must be between the wet and dry value. For example, if the actual wet value is 17 and the actual dry value is 2, put in a threshold value half way between 2 and 17. The default value is 20.







**OTT Hydromet**

Ludwigstrasse 16  
87437 Kempten, Germany  
Tel. +49 (0)8 31 5617-0  
Fax +49 (0)8 31 5617-209  
info@ott.com  
www.ott.com

**OTT Hydromet**

5600 Lindbergh Drive  
Loveland, CO 80538 U.S.A.  
Tel. (970) 669-3050  
(800) 949-3766 (U.S.A. only)  
Fax (970) 461-3921  
sales@otthydromet.com  
www.ott.com